



---

# INSTALLATION/OPERATION MANUAL

---

*LightStyle*<sup>TM</sup>

**LS-10d**

**DLP<sup>TM</sup> Home Theater Projector  
and Digital High Definition (DHD<sup>TM</sup>) Controller/Scaler/Processor**



**THE WORLD'S FINEST HOME THEATER PRODUCTS<sup>TM</sup>**



---

# RuncoCare™ Standard Two Year Limited Warranty

Congratulations on your purchase of a Runco® product! With proper installation, setup and care, you should enjoy many years of unparalleled video performance.

This RuncoCare Standard Limited Warranty is provided free of charge by Runco International, LLC (“Runco”) with the purchase of a covered Runco product. The following sets forth Runco’s Standard Limited Warranty applicable to all Runco projectors, processors, LCD display and plasma display products, with the exception of the following models: XP-103DHD, SC-1, SC-1a, CW-95DHD and VW-100HD<sup>1</sup>.

The following terms and conditions of the RuncoCare Standard Limited Warranty represent a contract between us, Runco, and you, the customer, who has purchased a Runco product. This contract applies to purchases of covered Runco products occurring on or after **February 11, 2010**. Runco reserves the right to change the terms of this contract, and such changes shall apply to purchases of covered Runco products that occur on or after any future effective date.

## RuncoCare Standard Features

- Two-year protection from defects in material and workmanship
- Access to 24x7 phone support
- Complimentary, second-day one-way shipping

## Warranty Coverage

Runco warrants its products to be free from defects in material and workmanship during the warranty period provided below. If, in Runco’s sole determination, a product proves to be defective in material or workmanship during the warranty period, Runco will repair the product, replace the product with a substantially similar new or like-new product, or refund a prorata share of the purchase price (calculated based on the remainder of the warranty period and the then-current MSRP<sup>2</sup> of a similar product), if repair or replacement of the product is determined by Runco to not be feasible. Runco has sole discretion in determining whether a same or like model is offered, and what constitutes a “substantially similar model.”

## Length of Warranty

Runco products are warranted for two (2) years from the date of shipment from Runco. Lamps are warranted six (6) months from the date of shipment or 1000 hours of use, whichever comes first. All other accessories, which include but are not limited to, cables, remotes, carrying cases, lens cap and other peripherals sold with the Runco product, are warranted for ninety (90) days from the date of the original shipment of the accessory.

## Eligibility

This RuncoCare Standard Limited Warranty is valid only for the first customer who purchases the covered product from an authorized Runco dealer or distributor. This warranty is not transferable. You may be required to provide proof of purchase in order to receive warranty services.

- 
1. Runco may update this list of products excluded from this warranty from time to time at Runco’s sole discretion, but updates to the list of covered products will not apply on a retroactive basis.
  2. MSRP is defined as the most recent product price listed on Runco’s price list.

---

## **RuncoCare Claim Procedure**

In the event of a product defect, please follow the warranty claim procedure provided below:

1. The Customer is required to contact a Runco dealer or Runco Technical Support via email at support@runco.com or via phone at (toll free) (800) 23RUNCO (800-237-8626). If the customer is located outside North America, call +3589 4200 554 in Europe for product service.
2. Be prepared to provide the date of purchase, the place of purchase, serial number, product model number, description of the problem and troubleshooting steps already attempted.
3. Runco Technical Support staff will attempt to correct any minor issues that may be causing the problem. If Runco is unable to resolve the problem through troubleshooting, a Return Material Authorization (RMA) number will be issued for the exchange of the defective product if it is determined that the claim was made within the coverage period of the Standard Limited Warranty.
4. If it is determined that the Standard Limited Warranty applies to the claim, the customer will need to return the defective product to the Runco repair depot location specified by the Runco technical support representative. The customer will need to properly package the defective product, consisting of the product only, and not include any accessories (e.g., cables, remotes, carrying cases, lens, lens cap and other peripherals) and return it to the Runco repair depot specified by the technical support representative. It is the customer's responsibility to properly package the hardware, include all appropriate materials, and return it to the location specified by the Runco technical support department. The customer will need to address and resolve any shipping damage claims directly with the shipping company.
5. The customer is responsible for providing a suitable box to ship the defective product to an authorized Runco repair depot. Boxes may be purchased from a Runco technical support representative.
6. The customer is responsible for paying freight charges to ship the defective product to an authorized Runco repair depot.
7. For in-warranty repairs, Runco will pay freight charges to return the repaired/replacement product (which shall not include accessories--e.g., cables, remotes, carrying cases, lens cap and other peripherals sold with the Runco product) to the customer from the Runco repair depot.
8. Once an RMA has been created, the customer may contact serviceorders@runco.com for followup questions or confirmation status of the claim process.

## **Warranty Exclusions**

This RuncoCare Standard Limited Warranty does not include or is limited by the following:

1. Products not purchased from an authorized Runco dealer
2. Rental costs incurred by the customer in the event of product defect or failure
3. Any product with a defaced, modified, or removed serial number
4. Damage, deterioration, or malfunction resulting from:
  - a Accident, abuse, misuse, neglect, improper ventilation, fire, water, disaster, lightning, or other acts of nature, smoke exposure (cigarette or otherwise), unauthorized product modification (including use of an unauthorized mount), or failure to follow instructions supplied with the product
  - b Repair or attempted repair by anyone not authorized by Runco
  - c Any damage to the product due to shipment
  - d Removal or installation of the product
  - e Causes external to the product, such as electric power fluctuations or failure
  - f Use of supplies or parts (including lamps) that are not purchased from Runco or do not meet Runco's specifications
  - g Normal wear and tear



- 
- h Expected lamp degradation and normal decrease in lamp output over a period of time or as the lamp is consumed
  - i Customer caused defects, including but not limited to, scratched/defaced/altered plastics
  - j Failure to follow maintenance procedures as outlined in the product's user guide where a schedule is specified for regular cleaning of the product
  - k Opening the product and/or tampering with internal circuitry
  - l Products lost, stolen or discarded
  - m Any damage or dissatisfaction associated with latent images, "burnin," or any other damage determined by Runco to be the result of customer use patterns
  - n Any other cause, which does not relate to a product defect in material or workmanship
5. Removal, installation, and setup service charges are excluded from this Standard Limited warranty
  6. Black uniformity issues or other LCD issues associated with usage outside the Runco recommended guidelines and specifications for the product
  7. Bright or dark sub pixels that are characteristic of LCD technology and considered by Runco to be acceptable and within Runco's manufacturing specifications. (See "Sub Pixel Policy," below.)
  8. Second day shipment delivery time and availability may vary based on origin and destination and Runco is unable to deliver to PO Box and FPO Box addresses

### **Sub Pixel Policy**

It is not uncommon for one or more sub pixels to become bright or dark during or after the manufacturing process. A bright sub pixel is one that remains in the on position, and a dark sub pixel is one that appears black or off. The sub pixels are usually hard to see and will not detract from the display quality or usability at normal viewing distance. The following are Runco's criteria for identifying bright or dark sub pixels that would be considered unacceptable: a) the number of bright or dark sub pixels; b) the location of the bright or dark sub pixels; c) the color of the bright sub pixels; and d) the Runco model size. If sub pixels have been identified as unacceptable by Runco the LCD will be deemed faulty and will be replaced if reported within the warranty period. If there are issues with bright or dark sub pixels, gather the information listed above and call or email [support@runco.com](mailto:support@runco.com).

### **Other Terms and Conditions**

1. Runco will not accept returned Product unless an RMA number has been issued by Runco.
2. If an Advance Exchange return occurs, it is the customer's responsibility to properly package the defective product and ship it to the address provided by the Runco technical support representative with the RMA number prominently displayed. If the defective product is not properly packaged and is damaged in transit during its return to Runco, you may be invoiced for either the repair costs, if repairable, or the MSRP of a replacement product and shipping costs incurred by Runco.
3. The repaired or replaced product will assume the remainder of your original product's RuncoCare Service Plan term or 90 days from the date the repaired unit is shipped, whichever is longer.
4. If a replacement product is sent, the customer agrees to retain the replacement for the product you purchased and your defective product becomes the property of Runco.

### **Extended Service Options**

Runco offers extended and expanded service plans. For information on additional product protection, please email [serviceorders@runco.com](mailto:serviceorders@runco.com) or call (toll free) (800) 23RUNCO (800-237-8626).

## **Online Product Registration**

Please visit <http://www.runco.com/support/product-registration/> to register product.

## **Limitation of Implied Warranties**

RUNCO PROVIDES NO WARRANTIES, EXPRESS OR IMPLIED, EXCEPT THOSE EXPRESSLY PROVIDED HEREIN. RUNCO EXPRESSLY DISCLAIMS ALL OTHER WARRANTIES, INCLUDING THE IMPLIED WARRANTIES OF MERCHANTABILITY AND FITNESS FOR A PARTICULAR PURPOSE.

## **Exclusion of Damages**

RUNCO'S MAXIMUM AGGREGATE LIABILITY HEREUNDER IS LIMITED TO THE COST OF REPAIR OR REPLACEMENT OF THE PRODUCT.

1. RUNCO SHALL NOT BE LIABLE FOR DAMAGE TO OTHER PROPERTY CAUSED BY ANY DEFECT IN THE PRODUCT, DAMAGES BASED UPON INCONVENIENCE, LOSS OF USE OF THE PRODUCT, LOSS OF TIME, LOSS OF PROFITS, LOSS OF BUSINESS OPPORTUNITY, LOSS OF GOODWILL, INTERFERENCE WITH BUSINESS RELATIONSHIPS, OR OTHER COMMERCIAL LOSS, EVEN IF THE CUSTOMER HAS BEEN ADVISED OF THE POSSIBILITY OF SUCH DAMAGES.
2. RUNCO SHALL NOT BE LIABLE FOR ANY CONSEQUENTIAL, INCIDENTAL, INDIRECT, SPECIAL, OR PUNITIVE DAMAGES.
3. RUNCO SHALL NOT BE LIABLE FOR ANY CLAIM AGAINST THE CUSTOMER BY ANY OTHER PARTY.

## **Effect of Local Law**

This warranty gives you specific legal rights, and you may have other rights, which vary from locality to locality. Some localities do not allow limitations on implied warranties and/or do not allow the exclusion of incidental or consequential damages, so the above limitations and exclusions may not apply to you.

## **COPYRIGHT AND TRADEMARKS:**

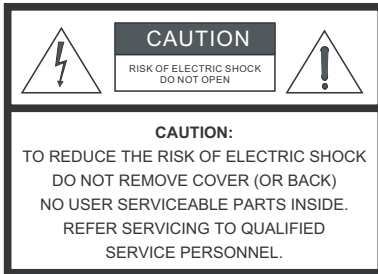
© Copyright 2010 Runco International, LLC ("Runco"). This document contains proprietary information protected by copyright, trademark and other intellectual property laws. All rights are reserved. No part of this manual may be reproduced by any mechanical, electronic or other means, in any form, without prior written permission of Runco.

The trademarks reproduced in this Runco Owner's Manual and used on the Runco Products are either owned by Runco or are licensed by Runco. You may not reproduce or use the trademarks without the prior written consent of Runco.

Runco Products are manufactured under one or more of the following patents: US. Patent 6755540 and Other Patents Pending.

# Important Safety Instructions

Thank you for your purchase of this quality Runco video product! It has been designed to provide you with the quality of video that is expected in a home theater. For the best performance, please read this manual carefully as it is your guide through the menus and operation.



## WARNING

This symbol is intended to alert the user to the presence of uninsulated “dangerous voltage” within the product’s enclosure that may be of sufficient magnitude to constitute a risk of electric shock.



This symbol is intended to alert the user to the presence of important operating and maintenance (servicing) instructions in the literature accompanying the appliance.

1. Read these instructions.
2. Keep these instructions.
3. Heed all warnings.
4. Follow all instructions.
5. Do not use this apparatus near water.
6. Clean only with a dry cloth.
7. Do not block any of the ventilation openings. Install in accordance with the manufacturer’s instructions.
8. Do not install near any heat sources such as radiators, heat registers, stoves, or other apparatus (including amplifiers) that produce heat.
9. Do not defeat the safety purpose of the polarized or grounding type plug. A polarized plug has two blades with one wider than the other. A grounding type plug has two blades and a third grounding prong. The wide blade or the third prong is provided for your safety. When the provided plug does not fit into your outlet, consult an electrician for the replacement of the obsolete outlet.
10. Protect the power cord from being walked on or pinched particularly at plugs, convenience receptacles and the point where they exit from the apparatus.
11. Only use the attachments/accessories specified by the manufacturer.
12. Use only with a cart, stand, tripod, bracket or table specified by the manufacturer or sold with the apparatus. When a cart is used, use caution when moving the cart/apparatus to avoid injury from tip-over.
13. Unplug this apparatus during lightning storms or when unused for long periods of time.
14. Refer all servicing to qualified service personnel. Servicing is required when the apparatus has been damaged in any way, such as power supply cord or plug is damaged, liquid has been spilled or objects have fallen into the apparatus, the apparatus has been exposed to rain or moisture, does not operate normally, or has been dropped.
15. The +12V trigger only outputs 12Vdc signal for triggering. Do not connect to any other power input or output. This could cause damage to this unit.
16. Keep the packing material in case the equipment should ever need to be shipped.
17. The lamp becomes extremely hot during operation. Allow the projector to cool down for approximately 45 minutes prior to removing the lamp assembly for replacement.
18. Do not operate lamps beyond the rated lamp life. Excessive operation of lamps beyond rated life could cause them to explode in rare occasions.



---

19. Never look directly into the lens when the lamp is on.

# Compliance Information

---

## DECLARATION OF CONFORMITY:

Manufacturer's Name: Runco International, LLC

Manufacturer's Address: 1195 NW Compton Drive, Beaverton, OR 97006-1992

hereby declares that the Products' Model Numbers:

LS-10d

conform with the provisions of:

Council Directive 2004/108/EC on Electromagnetic Compatibility;

EN 55022 "Limits and methods of measurements of radio interference characteristics of information technology equipment" 1998;

EN 55024 "Limits and methods of measurements of immunity characteristics of information technology equipment" 1998;

Including:

- EN 61000-4-2 "Electromagnetic compatibility (EMC) Part 4: Testing and measurement techniques Section 2: Electrostatic discharge immunity test"
- EN 61000-4-3 "Electromagnetic compatibility (EMC) Part 4: Testing and measurement techniques Section 3: Radiated, Radio-Frequency, Electromagnetic Field Immunity Test"
- EN 61000-4-4 "Electromagnetic compatibility (EMC) Part 4: Testing and measurement techniques Section 4: Electrical fast transient/burst immunity test"
- EN 61000-4-5 "Electromagnetic compatibility (EMC) Part 4: Testing and measurement techniques Section 5: Surge immunity test"
- EN 61000-4-6 "Electromagnetic compatibility (EMC) Part 4: Testing and measurement techniques Section 6: Conducted disturbances induced by radio-frequency fields immunity test"
- EN 61000-4-8 "Electromagnetic compatibility (EMC) Part 4: Testing and measurement techniques Section 8: Conducted disturbances induced by power frequency magnetic fields immunity test"
- EN 61000-4-11 "Electromagnetic compatibility (EMC) Part 4: Testing and measurement techniques Section 11: Voltage dips, short interruptions and voltage variations immunity tests"

And:

- EN 61000-3-2 "Electromagnetic compatibility (EMC) Part 3, Section 2: Limits for harmonic current emissions (equipment input current up to and including 16 A per phase)" 2000;
- EN 61000-3-3 "Electromagnetic compatibility (EMC) Part 3, Section 3: Limitations of voltage changes, voltage fluctuations and flicker in public low-voltage supply systems, for equipment with rated current up to and including 16 A and not subject to conditional connection" 1995;

Council Directive 2006/95/EC and amended by M1 and C1 on Low Voltage Equipment Safety;

EN 60950 "Safety of information technology equipment, including electrical business equipment"

The Technical Construction file required by this Directive is maintained at the corporate headquarters of Runco International, LLC, located at 1195 NW Compton Drive, Beaverton, OR 97006-1992.

Date of Declaration: September 2010

## FCC PART 15:

NOTE: This equipment has been tested and found to comply with the limits for a Class B digital device, pursuant to Part 15 of the FCC Rules. These limits are designed to provide reasonable protection against harmful interference in a residential installation.

This equipment generates, uses and can radiate radio frequency energy and, if not installed and used in accordance with the instructions, may cause harmful interference to radio communications. However, there is no guarantee that interference will not occur in a particular installation. If this equipment does cause harmful interference to radio or television reception, which can be determined by turning the equipment off and on, the user is encouraged to try to correct the interference by one or more of the following measures:

- Reorient or relocate the receiving antenna.
- Increase the separation between the equipment and receiver.
- Connect the equipment into an outlet on a circuit different from that to which the receiver is connected.
- Consult the dealer or an experienced radio/TV technician for help.

## INDUSTRY CANADA (ICES-003):

This Class B digital apparatus complies with Canadian ICES-003.

Cet appareil numérique de la classe B est conforme à la norme NMB-003 du Canada.

## PRODUCT DISPOSAL:

The Product contains small amounts of tin, lead and/or mercury. Disposal of these materials may be regulated due to environmental considerations.

## IMPORTANT RECYCLE INSTRUCTIONS



Lamp(s) inside this product contain mercury. This product may contain other electronic waste that can be hazardous if not disposed of properly. Recycle or dispose in accordance with local, state, or federal Laws.

For more information, contact the Electronic Industries Alliance at [WWW.EIAE.ORG](http://WWW.EIAE.ORG).

For lamp specific disposal information check [WWW.LAMPRECYCLE.ORG](http://WWW.LAMPRECYCLE.ORG).

## DISPOSAL OF OLD ELECTRICAL AND ELECTRONIC EQUIPMENT (Applicable throughout the European Union and other European countries with separate collection programs)



This symbol found on your product or on its packaging, indicates that this product should not be treated as household waste when you wish to dispose of it. Instead, it should be handed over to an applicable collection point for the recycling of electrical and electronic equipment. By ensuring this product is disposed of correctly, you will help prevent potential negative consequences to the environment and human health, which could otherwise be caused by inappropriate disposal of this product. The recycling of materials will help to conserve natural resources. This symbol is only valid in the European Union. If you wish to discard this product, please contact your local authorities or dealer and ask for the correct method of disposal.

---

**Notes:**

# Table of Contents

<b>RuncoCare™ Standard Two Year Limited Warranty .....</b>	<b>iii</b>
<b>Important Safety Instructions .....</b>	<b>vii</b>
<b>Compliance Information .....</b>	<b>viii</b>
<b>1. Introduction .....</b>	<b>1</b>
About This Manual .....	1
Target Audience .....	1
If You Have Comments About This Manual.....	1
Textual and Graphic Conventions .....	1
Using This Manual .....	2
Description, Features and Benefits .....	3
Key Features and Benefits .....	4
Parts List .....	4
<b>2. Controls and Functions .....</b>	<b>5</b>
LS-10d at a Glance .....	5
LS-10d Rear Panel .....	8
DHD Controller Front Panel .....	9
DHD Controller Rear Panel .....	10
LS-10d Remote Control Unit .....	12
<b>3. Installation .....</b>	<b>15</b>
Remote Control .....	15
Notes on Batteries.....	15
Notes on Remote Control Operation.....	15
Quick Setup .....	16
Installation Considerations .....	17
Installation Type.....	17
Ambient Light .....	18
Throw Distance.....	18
Vertical and Horizontal Position.....	20
Vertical and Horizontal Lens Shift.....	20
Folded Optics .....	22
Audio/Video Synchronization Issues.....	22
Other Considerations.....	23

---

Installing the Optional Anamorphic Lens Mount .....	23
Package Contents .....	23
Mounting the LS-10d .....	28
Floor Mounting (Upright) .....	28
Ceiling Mounting (Inverted).....	28
Installing the Projector in an Enclosure .....	28
Adjusting the Projection Angle .....	29
Connections to the LS-10d and DHD Controller .....	30
Connector Panel Access.....	30
Connecting the DHD Controller to the LS-10d .....	31
Connecting Source Components to the DHD Controller .....	32
RS-232 Controller Connection .....	36
Connecting 12-volt Trigger Outputs to External Equipment.....	37
Connecting an External IR Receiver to the DHD Controller .....	38
Connecting to AC Power .....	39
Turning on the Power .....	39
Primary Lens Adjustments .....	40
Focus .....	40
Zoom.....	40
Vertical and Horizontal Lens Shift.....	40
Adjusting the Picture Orientation .....	40
Adjusting the Image Geometry .....	41
Installing and Adjusting the Anamorphic Lens .....	43
Anamorphic Lens Installation and Adjustment .....	43
<b>4. Operation .....</b>	<b>45</b>
Using the On-Screen Menus .....	45
Main Menu.....	47
Input Source .....	47
Aspect Ratio .....	47
Picture .....	50
Input Position.....	54
Memory Presets .....	56
Sleep Timer .....	57
Information .....	58
Calibration .....	58
Service .....	64



---

<b>5. Maintenance and Troubleshooting .....</b>	<b>73</b>
Lamp Replacement .....	73
Troubleshooting Tips .....	74
<b>6. External Control .....</b>	<b>75</b>
Serial Communications .....	75
RS-232 Connection and Port Configuration .....	75
Serial Command Syntax .....	75
Using Discrete IR Codes .....	80
IR Command Protocol .....	80
IR Command List.....	81
Using HDMI CEC Messages .....	84
CEC Command List.....	84
<b>7. Specifications .....</b>	<b>87</b>
LS-10d Specifications .....	87
DHD Controller Specifications .....	89
LS-10d Dimensions .....	90
Supported Timings .....	91

**Notes:**

# List of Figures

---

2-1. LS-10d Front/Side View .....	5
2-2. LS-10d Rear/Bottom/Top View .....	6
2-3. LS-10d Rear Panel .....	8
2-4. DHD Controller Front Panel .....	9
2-5. DHD Controller Rear Panel .....	10
2-6. DHD Controller/LS-10d Remote Control.....	12
3-1. Estimating Throw Distance .....	18
3-2. Projector Placement .....	20
3-3. Vertical Lens Shift (EXAMPLE ONLY) .....	20
3-4. Horizontal Lens Shift (EXAMPLE ONLY).....	21
3-5. Folded Optics.....	22
3-6. Mounting Angle Ranges (Front-to-Back and Side-to-Side).....	29
3-7. Connecting the LS-10d to the DHD Controller.....	31
3-8. HDMI Source Connections .....	32
3-9. Component Video Source Connections.....	33
3-10. RGBHV Source Connections.....	34
3-11. SCART RGBS Source Connections.....	35
3-12. Composite Video Source Connections .....	36
3-13. RS-232 Control System Connection.....	36
3-14. 12-volt Trigger Output Connection from DHD Controller.....	37
3-15. 12-volt Trigger Output Connection from Projector to Lens Transport.....	37
3-16. External IR Receiver Connection.....	38
3-17. Keystone and Pincushion Distortion .....	41
3-18. Image Alignment Controls .....	42
3-19. Attaching the Anamorphic Lens to the Lens Mount .....	43
4-1. DHD Controller OSD Menu Structure for LS-10d.....	45
4-2. Typical PLUGE Pattern for Adjusting Brightness .....	50
4-3. Typical Gray Bar Pattern for Adjusting Contrast.....	51
4-4. Typical Color Bar Pattern for Adjusting Color Saturation and Tint.....	52
4-5. Typical Test Pattern for Adjusting Sharpness .....	54
4-6. Overscan Modes .....	55
4-7. CIE 1931 Chromaticity Diagram .....	59
4-8. Effect of PCE Hue and Saturation Controls.....	62
6-1. RC5 Message Format .....	81
7-1. LS-10d Dimensions.....	90

**Notes:**

# 1. Introduction

---

This Owner's Manual describes how to install, set up and operate the Runco LightStyle™ Series LS-10d Home Theater Projector and DHD Controller.

Throughout this manual, the Runco LightStyle™ Series LS-10d Home Theater Projector and DHD Controller are referred to collectively as the "LS-10d."

Runco has prepared this manual to help home theater installers and end users get the most out of the LS-10d.

Runco has made every effort to ensure that this manual is accurate as of the date it was printed. However, because of ongoing product improvements and customer feedback, it may require updating from time to time. You can always find the latest version of this and other Runco product manuals on-line, at [www.runco.com](http://www.runco.com).

Runco welcomes your comments about this manual. Send them to [techpub@runco.com](mailto:techpub@runco.com).

**Text Conventions:** The following conventions are used in this manual, in order to clarify the information and instructions provided:

- Remote and built-in keypad button identifiers are set in upper-case bold type; for example, "Press **EXIT** to return to the previous menu."
- Computer input (commands you type) and output (responses that appear on-screen) is shown in monospace (fixed-width) type; for example: "To change the aspect ratio to Letterbox, type `LETTERBOX <Enter>`."
- All keys with functional names are initial-capped, set in bold type and enclosed in angle brackets. These keys are the following: **<Enter>**, **<Spacebar>**, **<Control>**, **<Esc>** and **<Tab>**.
- **<Enter>** indicates that you may press either the RETURN or ENTER key on your keyboard if it has both keys.

In addition to these conventions, underlining, boldface and/or italics are occasionally used to highlight important information, as in this example:



**Note**

*A carriage return **must** be used after each command or string.*

---

## 1.1 About This Manual

### ◀ Target Audience

### ◀ If You Have Comments About This Manual...

### ◀ Textual and Graphic Conventions

**Graphic Conventions:** These symbols appear in numerous places throughout the manual, to emphasize points that you must keep in mind to avoid problems with your equipment or injury:



**Tip**

*TIPS highlight time-saving short cuts and helpful guidelines for using certain features.*



**Note**

*NOTES emphasize text with unusual importance or special significance. They also provide supplemental information.*



**Caution**

*CAUTIONS alert users that a given action or omitted action can degrade performance or cause a malfunction.*



**WARNING**

*WARNINGS appear when a given action or omitted action can result in damage to the equipment, or possible non-fatal injury to the user.*



**DANGER!**

*DANGER appears when a given action can cause severe injury or death.*

---

## 1.2 Using This Manual

Use the following table to locate the specific information you need in this manual.

<b>If you need...</b>	<b>... Turn to page:</b>
Information about obtaining service	iv
General information about the LightStyle™ Series LS-10d Home Theater Projector and DHD Controller	3
Installation instructions	15
First-time configuration instructions	40
Advanced configuration instructions	58
Troubleshooting tips	74
Product specifications	87

The LightStyle™ Series LS-10d Home Theater Projector and DHD Controller encompasses Runco's award-winning three-chip performance in an elegant, sleek package. Feature rich, including advanced connectivity and the latest-generation video processing, the LS-10d provides style and elegance to the most exacting custom theaters.

Impressive, unique and unlike single-chip DLP™ implementations, no color wheel is used in the LS-10d. Instead, it harnesses the power of three advanced 16:9 DMD's™ and 12-degree mirror tilt for unsurpassed black level performance. The impressive brightness is further bolstered by the improved contrast capabilities of the stylish LS-10d. This reduces mechanical complexity and compromises to color spectrum purity.

The LS-10d comes with an external, all-digital signal processor/controller/scaler featuring advanced ViVix IV™ video processing, superb scaling (up to 1080p) and aspect ratio control. The LS-10d is enhanced further by significant horizontal and vertical lens shift capability for maximum installation flexibility.

The LS-10d's 16:9 native aspect ratio DMD array makes it ideal for widescreen viewing, while its 3-chip, 1920 x 1080 native resolution produces crisp, crystal clear high-definition images with richly saturated colors, deep black levels and natural, highly refined detail.

The LS-10d features Runco's revolutionary new Personal Color Equalizer™ (PCE), which allows color adjustment that includes those exactly defined by the cinematographer and the color preferences of each individual viewer for each source.

In addition to Runco's proprietary Personal Color Equalizer, the LS-10d can also be paired with Runco's new CineGlide™ lens solution. Through an ingenious combination of software, electronics and precision anamorphic optics, CineGlide provides uncompromised widescreen reproduction of movies originally filmed in the "scope" 2:35:1 format. It maintains constant vertical height on the screen just as in a movie theater. When a viewer transitions from 1.78:1 (16:9) program material to superwide 2.35:1, the image simply gets wider while full screen height is maintained, eliminating useless black bars on the top and bottom of the screen.

**Note**

*CineGlide requires the use of a 2.35:1 or similar aspect ratio superwide format screen.*

Rounding out this projector's impressive feature set are discrete input source, aspect ratio and power on/off control (via serial commands or IR codes), for seamless integration with automation control systems.

---

## 1.3 Description, Features and Benefits

- Key Features and Benefits** ➤ The LS-10d offers these key features and benefits:
- Native Resolution: 1920 x 1080 (16:9 Native Aspect Ratio)
  - Three-chip Digital Light Processing (DLP™) system
  - Four (4) HDMI 1.3 Inputs (on DHD Controller) with High-bandwidth Digital Content Protection (HDCP)
  - HDTV Compatible
  - CinOptx™ *Proteus* lens options for stunning sharpness and throw distance flexibility

- Parts List** ➤ Your LS-10d is shipped with the following items. If any items are missing or damaged, please contact your Runco dealer or Runco Customer Service at (800) 23RUNCO.
- LightStyle™ Series LS-10d Home Theater Projector and DHD Controller
  - Remote Control Unit and two (2), AAA-size batteries
  - AC Power Cords (2)
  - HDMI-to-HDMI Cable, sold separately (refer to **Optional Accessories**, below)
  - Rack-mount hardware for the DHD Controller
  - Runco LS-10d Quick Setup Guide

**Optional Accessories:**

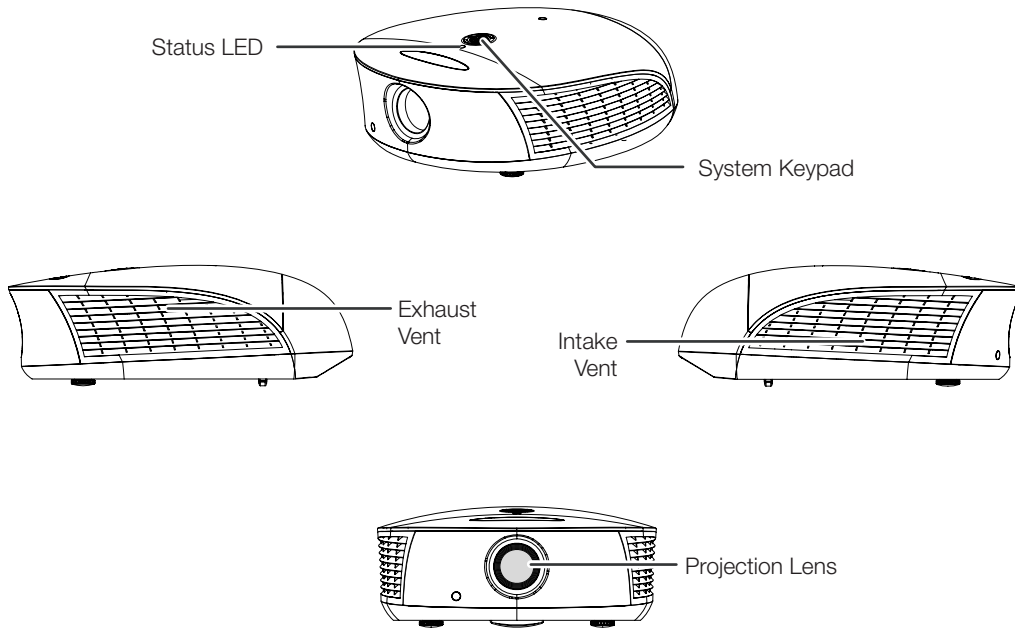
- Replacement Lamp (part number 997-5268-00)
- Ceiling mount kit (part number 997-4214-00)
- HDMI-to-HDMI Cable, length specified at time of order:
  - 16.4 feet (5.0 meters) (part number 903-1010-00)
  - 24.6 feet (7.5 meters) (part number 903-1011-00)
  - 32.8 feet (10.0 meters) (part number 903-1012-00)
  - 49.2 feet (15.0 meters) (part number 903-1013-00)
  - 65.6 feet (20.0 meters) (part number 903-1014-00)



## 2. Controls and Functions

Figure 2-1 and Figure 2-2 show the key LS-10d components.

### 2.1 LS-10d at a Glance



**Figure 2-1. LS-10d Front/Side View**

- **STATUS LED**

Indicates projector status as follows:

- Solid green = AC power present, ready to turn on (lamp not lit)
- Flashing green = lamp is warming up or cooling down; keypad functions not allowed
- Off = Lamp lit, projector functioning normally
- Alternating green/red = Lamp problem (door open, unable to strike, end of life), user intervention likely to fix problem
- Flashing red = Over temperature, user intervention (clear vents, turn on AC) may fix problem
- Solid red = Error that requires servicing (fan fail, Power-on self-test fail etc.)

- **SYSTEM KEYPAD**

Not used in this version of the product. Use the DHD Controller to configure and control the projector.

- **EXHAUST VENT**

Warm air exits the projector through this vent. Ensure that it is not blocked.

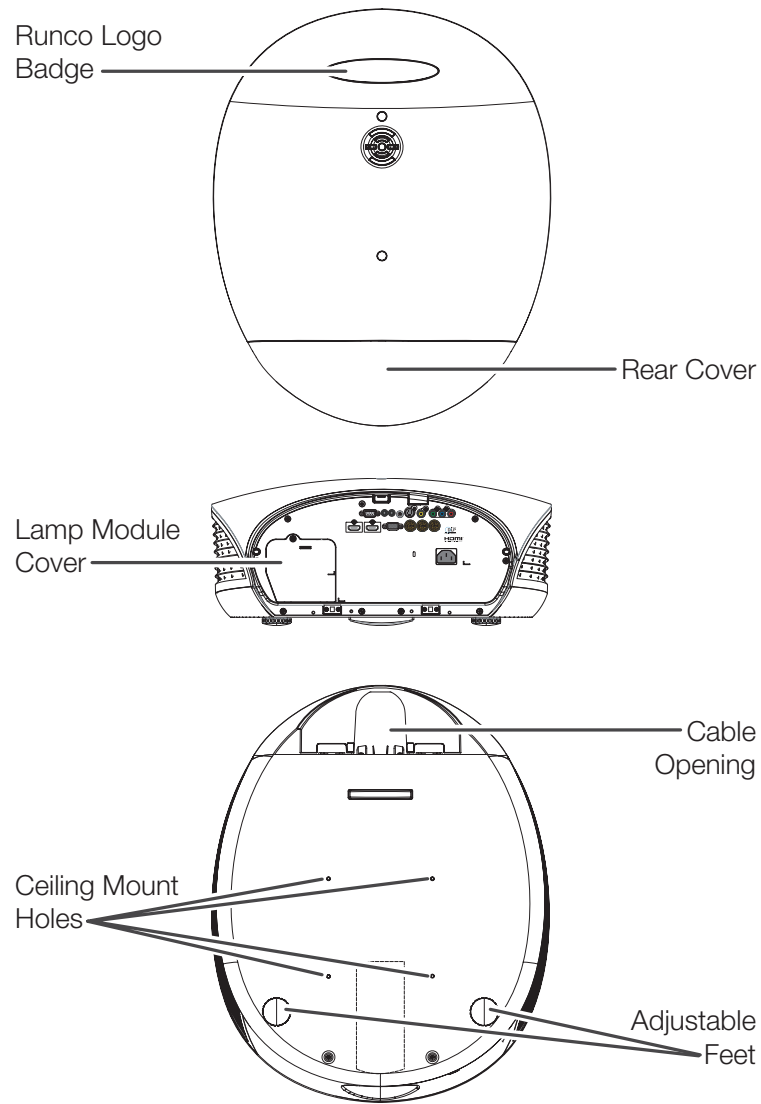
- **INTAKE VENT**

Internal fans draw cool air into the projector through this vent.



- **PROJECTION LENS**

If needed, a light shield accessory is provided with the lens to minimize stray light emissions. (Use it only when the vertical offset is 50% of the screen height or greater.) The light shield attaches to the end of the lens.

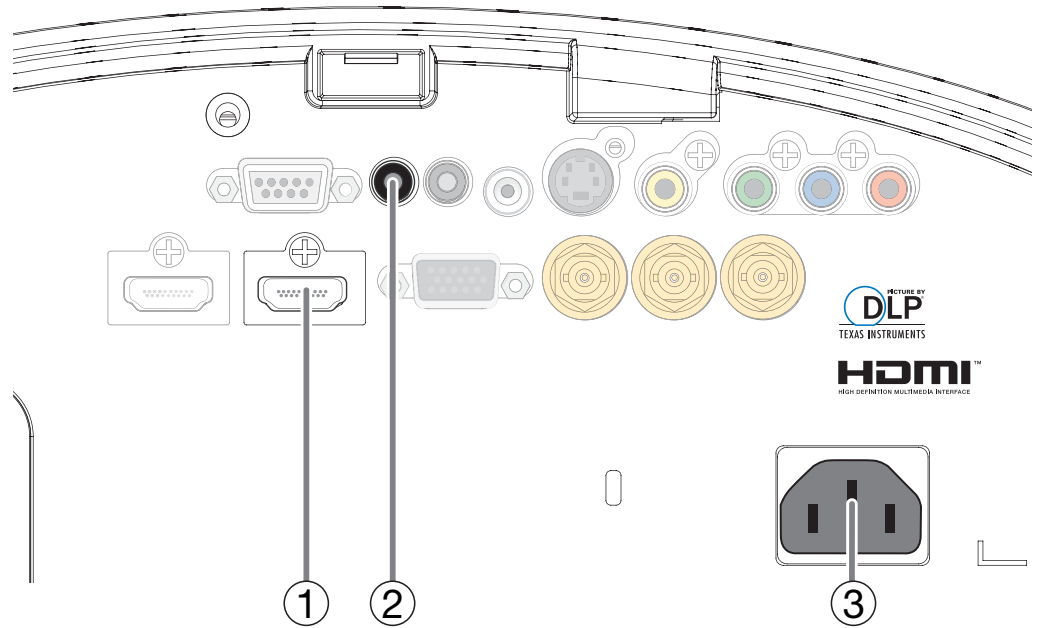


**Figure 2-2. LS-10d Rear/Bottom/Top View**

- **RUNCO LOGO BADGE**
- **REAR COVER**  
Remove to access connectors.
- **LAMP MODULE COVER**  
Remove this cover to access the lamp compartment.
- **CABLE OPENING**  
Pass cables through this opening.
- **CEILING MOUNT HOLES**  
Use these to attach the ceiling bracket to the projector. Use M4 screws with a maximum screw depth of 10 mm (0.39 inch).
- **ADJUSTABLE FEET**  
Use these when the projector is installed in a table-top configuration to level the image and/or adjust the projection angle.

## 2.2 LS-10d Rear Panel

Figure 2-5 shows the LS-10d rear panel.



**Figure 2-3. LS-10d Rear Panel**

1. **DHD INPUT**  
An HDCP-compliant digital video input for connecting the HDMI output from the DHD Controller.
2. **TRIGGER 1**  
Provides 12 (+/- 1.5) volt switched output for an anamorphic lens transport (if installed) with 250mA current capacity and short protection.



**Note**

*You can also use a 12-volt trigger output on the DHD Controller to control the anamorphic lens transport.*

3. **POWER INPUT (100 to 240 VAC)**  
Connect the LS-10d to power here.

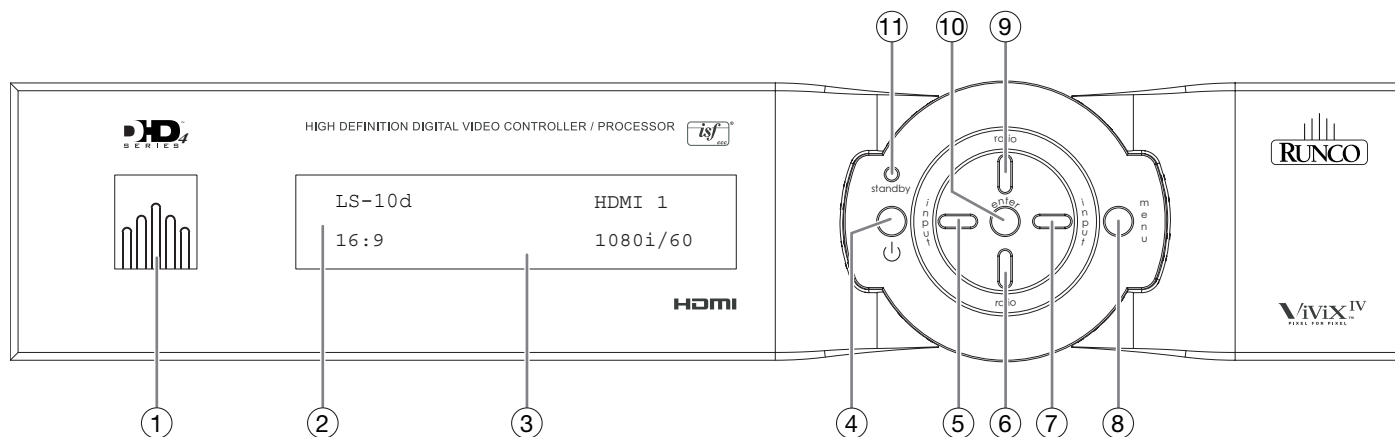


**Note**

*The other connectors are not used. Connect all signal sources and other equipment to the DHD Controller.*

Figure 2-4 shows the controls and indicators on the DHD Controller front panel; the paragraphs that follow describe them.

## 2.3 DHD Controller Front Panel



**Figure 2-4. DHD Controller Front Panel**

1. **RUNCO ICON**  
Lights blue to indicate that the controller is on or powering up.
2. **IR SENSOR**  
Receives IR commands from the remote control.
3. **VACUUM FLUORESCENT DISPLAY**  
Can be used instead of the On-Screen Display (OSD). Displays currently-selected menu or – if no menu is selected – the connected display device model, current source, input resolution and aspect ratio.
4. **ON/STANDBY BUTTON**  
Press once to toggle from standby mode to on mode. Press it again to return to standby mode. For a discrete on or off command, you can use the direct access buttons on the remote control.
5. **LEFT BUTTON**  
Used to direct-select inputs or move the menu cursor left in the OSD. When no menu is present on-screen, the **LEFT** button toggles through the different sources, in this order:  
HDMI 4 - HDMI 3 - HDMI 2 - HDMI 1 - SCART - HD 2 - HD 1 - Component - Composite 3 - Composite 2 - Composite 1
6. **DOWN BUTTON**  
Use to direct-select aspect ratios or move the menu cursor down in the OSD. When no menu is present on-screen, this button toggles through the different aspect ratios, in this order:  
16:9 - 4:3 - Letterbox - VirtualWide - Cinema - Virtual Cinema - Native

7. **RIGHT BUTTON**

Used to direct-select inputs or move the menu cursor right in the OSD. When no menus are present on-screen, the **RIGHT** button toggles through the different sources, in this order:

Composite 1 - Composite 2 - Composite 3 - Component - HD 1 - HD 2 - SCART - HDMI 1 - HDMI 2 - HDMI 3 - HDMI 4

8. **MENU BUTTON**

Press the **MENU** button to bring up the main menu, or to exit the current menu and return to the previous one.

9. **UP BUTTON**

Use to direct-select aspect ratios or move the menu cursor up in the OSD. When no menus are present on-screen, the **UP** button toggles through aspect ratios in the following order:

Native - Virtual Cinema - Cinema - VirtualWide - Letterbox - 4:3 - 16:9

10. **ENTER BUTTON**

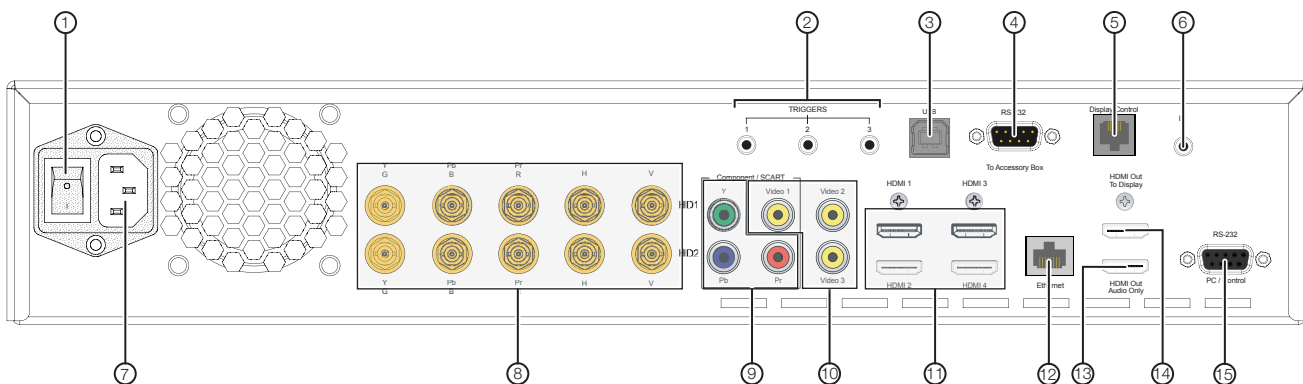
When an item is highlighted on the OSD, the **ENTER** button selects the item.

11. **STANDBY LED**

Lights amber when the DHD Controller is in standby mode; otherwise it is off.

**2.4  
DHD Controller Rear  
Panel**

Figure 2-5 shows the rear connector panel on the DHD Controller.



**Figure 2-5. DHD Controller Rear Panel**

1. **MAIN POWER SWITCH**

Disconnects or applies power to the DHD Controller.

2. **TRIGGERS**

Connection for up to three (3), 12-volt trigger-controlled devices such as retractable screens or screen masks. Output current is limited to 250 milliamperes (mA).

3. **USB**

A standard, USB Series "B" connection to a personal computer, for performing software upgrades and other service procedures.

- 
4. **RS-232 (To Accessory Box)**  
A male, 9-pin D-sub connector for interfacing with external equipment. (For future use.)
  5. **Display Control**  
Not used with the LS-10d.
  6. **IR**  
Wired input from a Niles- or Xantech-compatible, infrared (IR) repeater system. It is a 3.5-mm, mini phono jack, wired as follows:  
Ring = No connection  
Tip = IR Input  
Sleeve = Ground
  7. **POWER INPUT (100 to 240 VAC)**  
Connect the DHD Controller to power here.
  8. **HD1 / HD2 (5 x Analog BNCs)**  
Two inputs (five BNCs per input) for connecting standard-definition (SD = 480i/576i), enhanced-definition (ED = 480p/576p) or high-definition (HD = 720p/1080i/1080p) component video sources, or RGBHV sources such as personal computers.
  9. **Component / SCART (3 x RCA connectors)**  
SD/HD input for connecting SDTV, EDTV or HDTV component video sources. Also provides RGB input for SCART RGBS sources.
  10. **Video 1 / Video 2 / Video 3**  
Standard, composite video inputs for connecting a VCR, camcorder or other composite video source. The Video 1 input also provides composite sync input for SCART RGBS sources.
  11. **HDMI 1 / HDMI 2 / HDMI 3 / HDMI 4 (Digital)**  
HDCP-compliant digital video inputs for connecting an HDMI or DVI source.
  12. **Ethernet**  
A female RJ-45 connector for wired network communications.
  13. **HDMI Out (Audio Only)**  
Connect this output to an audio control system to pass through HDMI audio.
  14. **HDMI Out (To Display)**  
Connect this to the **DHD Input** on the LS-10d (see Figure 2-3).
  15. **RS-232 (PC / Control)**  
A female, 9-pin D-sub connector for interfacing with a PC or automation/control system.

## 2.5 LS-10d Remote Control Unit

Figure 2-6 shows the LS-10d remote control, and the paragraphs that follow describe its functionality.

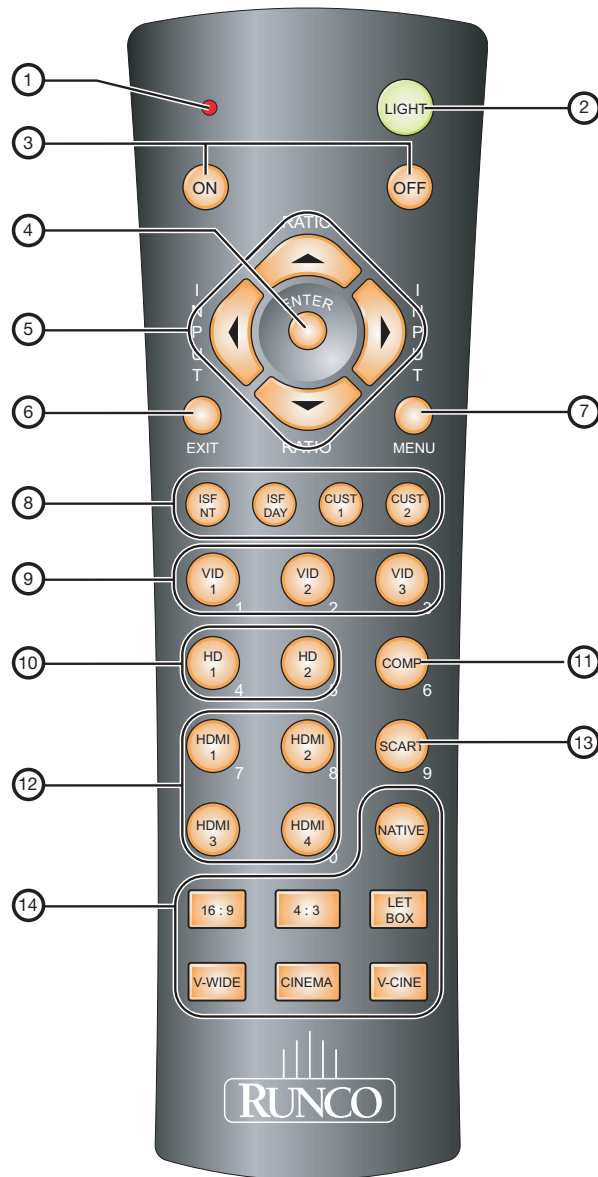


Figure 2-6. DHD Controller/LS-10d Remote Control



1. **IR OUTPUT INDICATOR**  
Lights when a button is pressed to indicate that an IR signal is being transmitted.
2. **LIGHT**  
Press to illuminate the buttons.
3. **ON / OFF**  
Press to turn the DHD Controller and projector on or off.
4. **ENTER**  
Press to select a highlighted menu item or confirm a changed setting.
5. **Cursor Buttons (▲, ◀, ▼, ▶)**  
Use these buttons to select items or settings, adjust settings or switch display patterns.

When no menu is present on-screen, the **UP** and **DOWN** buttons toggle through the available aspect ratios, in this order:

**UP** Button = Native - Virtual Cinema - Cinema - VirtualWide - Letterbox - 4:3 - 16:9

**DOWN** Button = 16:9 - 4:3 - Letterbox - VirtualWide - Cinema - Virtual Cinema - Native



**Note**

*For more information about aspect ratios, refer to Table 4-1.*

Likewise, the **LEFT** and **RIGHT** buttons toggle through the different source inputs, in this order:

**LEFT** Button = HDMI 4 - HDMI 3 - HDMI 2 - HDMI 1 - SCART - HD 2 - HD 1 - Component - Composite 3 - Composite 2 - Composite 1

**RIGHT** Button = Composite 1 - Composite 2 - Composite 3 - Component - HD 1 - HD 2 - SCART - HDMI 1 - HDMI 2 - HDMI 3 - HDMI 4

6. **EXIT**  
Press this button to exit the current menu and return to the previous one.
7. **MENU**  
Press this button to access the OSD controls, or to exit the current menu and return to the previous one.
8. **Memory Preset Buttons:**
  - ISF NIGHT**  
Press to recall settings for the current input from the “ISF Night” memory preset.
  - ISF DAY**  
Press to recall settings for the current input from the “ISF Day” memory preset.
  - CUST 1**  
Press to recall settings for the current input from the “Custom 1” memory preset.
  - CUST 2**  
Press to recall settings for the current input from the “Custom 2” memory preset.
9. **VID 1 (1) / VID 2 (2) / VID 3 (3)**  
Press to select a composite video input as the source or to enter the numeric character “1,” “2” or “3.”

10. **HD 1 (4) / HD 2 (5)**

Press to select a HD (RGBHV or YPbPr component) input or to enter the numeric character “4” or “5.”

11. **COMP (Component) (6)**

Press to select the Component video input as the source or to enter the numeric character “6.”

12. **HDMI 1 (7) / HDMI 2 (8) / HDMI 3 / HDMI 4 (0)**

Press to select an HDMI input as the source or to enter the numeric character “7,” “8” or “0.”

13. **SCART (9)**

Press to select the SCART video input as the source or to enter the numeric character “9.”

14. **Aspect Ratio Selection Buttons**

Use these buttons to select an aspect ratio directly, as follows:

**NATIVE**

Displays the source signal in its native resolution, centered in the display area.

**16:9**

For viewing 16:9 DVDs or HDTV programs in their native aspect ratio.

**4:3**

Scales the input signal to fit 4:3 display mode in the center of the screen.

**LETBOX (Letterbox)**

For viewing non-anamorphic (“full-screen”) DVDs on a 16:9 screen.

**V-WIDE (VirtualWide)**

Enlarges a 4:3 image horizontally in a non-linear fashion to fit 16:9 full screen display.

**CINEMA**

For viewing 2.35:1 source material.

**V-CINE**

Selects the Virtual Cinema aspect ratio, used for viewing 16:9 source material on a 2.35:1 screen.

# 3. Installation

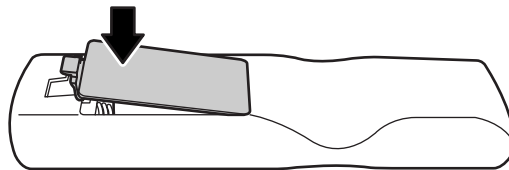
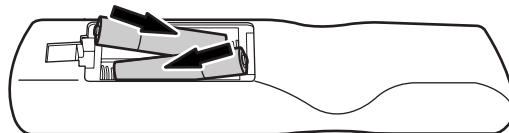
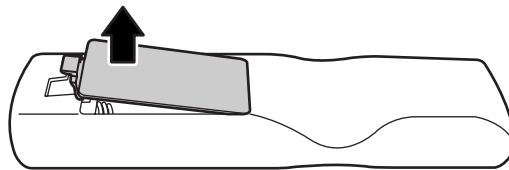


## Note

Installation **must** be performed by a qualified custom video installation specialist.

To install batteries in the remote control:

1. Press down the tab on the cover and pull the cover in the direction of the arrow.
2. Insert the included batteries. Ensure that the polarities correctly match the  $\oplus$  and  $\ominus$  markings inside the battery compartment.
3. Insert the lower tab of the cover into the opening, and press down the cover until it clicks in place.



- Make sure that the battery polarities are correct when installing the batteries.
- Do not mix an old battery with a new one or different types of batteries.
- If you will not use the remote control for a long time, remove the batteries to avoid damage from battery leakage.
- Make sure that there is nothing obstructing the infrared beam between the remote control and the IR receiver on the DHD Controller.
- If the effective range of the remote control decreases, or it stops working, replace the batteries with new ones.
- The remote control may fail to operate if the infrared remote sensor is exposed to bright sunlight or fluorescent lighting.
- Ambient conditions may possibly impede the operation of the remote control. If this happens, point the remote control at the DHD Controller, and repeat the operation.

## 3.1 Remote Control

### ◀ Notes on Batteries

### ◀ Notes on Remote Control Operation

## 3.2 Quick Setup

Table 3-1 gives a quick overview of the LS-10d installation process. The sections following this one provide detailed instructions.

**Table 3-1. Installation Overview**

Step	Procedure	For Details, Refer to page...
1	Choose a location for the projector	17
2	Install anamorphic lens mounting assembly (optional)	23
3	Mount the projector	28
4	Connect the DHD Controller to the projector	31
5	Connect signal sources to the DHD Controller	32
6	Connect external controller to RS-232 port (optional)	36
7	Connect 12-volt trigger outputs to anamorphic lens transport and/or other equipment (optional)	37
8	Connect projector, DHD Controller and lens motor (if present) to AC power and power up	39
9	Primary lens adjustments: projected image size (zoom), position (shift) and focus	20, 40
10	For rear-screen and/or ceiling-mount installations, select the proper picture orientation	40
11	Install and adjust secondary anamorphic lens (optional)	43
12	Display calibration: adjust the following for each input and display mode (resolution and frame rate); save settings when finished: <ul style="list-style-type: none"> <li>• Aspect ratio</li> <li>• Brightness</li> <li>• Contrast</li> <li>• Color level</li> <li>• Tint</li> <li>• Sharpness</li> <li>• White Balance</li> </ul>	47

Proper installation of your projector will ensure the quality of your display. Whether you are installing a projector temporarily or permanently, you should take the following into account to ensure your projector performs optimally.

Choose the installation type that best suits your needs: front or rear screen, floor mount or inverted mount. Table 3-2 compares these various installation methods.

**Table 3-2. Projector Installation Options**

Advantages	Considerations
<b>Front Screen, Floor Mount Installation</b>	
<ul style="list-style-type: none"> <li>• Easy to set up</li> <li>• Can be moved or changed quickly</li> <li>• Easy to access</li> </ul>	<ul style="list-style-type: none"> <li>• Shares floor space with audience</li> </ul>
<b>Front Screen, Inverted Mount (ceiling) Installation</b>	
<ul style="list-style-type: none"> <li>• Does not take up audience space</li> <li>• Projector is unobtrusive</li> <li>• Projector cannot be accidentally moved</li> </ul>	<ul style="list-style-type: none"> <li>• Installation is more permanent</li> <li>• Projector access is more difficult</li> </ul>
<b>Rear Screen, Floor Mount Installation</b>	
<ul style="list-style-type: none"> <li>• Projector is completely hidden</li> <li>• Projector is easily accessed</li> <li>• Usually good ambient light rejection</li> </ul>	<ul style="list-style-type: none"> <li>• Requires separate room</li> <li>• Installation cost is usually higher</li> </ul>
<b>Rear Screen, Inverted Mount (ceiling) Installation</b>	
<ul style="list-style-type: none"> <li>• Projector is completely hidden</li> <li>• Usually good ambient light rejection</li> </ul>	<ul style="list-style-type: none"> <li>• Requires separate room</li> <li>• Installation cost is usually higher</li> </ul>
<b>Rear Screen, Floor Mount with Mirror</b>	
<ul style="list-style-type: none"> <li>• Projector is completely hidden</li> <li>• Usually good ambient light rejection</li> <li>• Requires less space behind screen than other rear screen installations</li> </ul>	<ul style="list-style-type: none"> <li>• Requires separate room</li> <li>• Installation cost is usually higher</li> </ul>

### 3.3 Installation Considerations

#### ◀ Installation Type

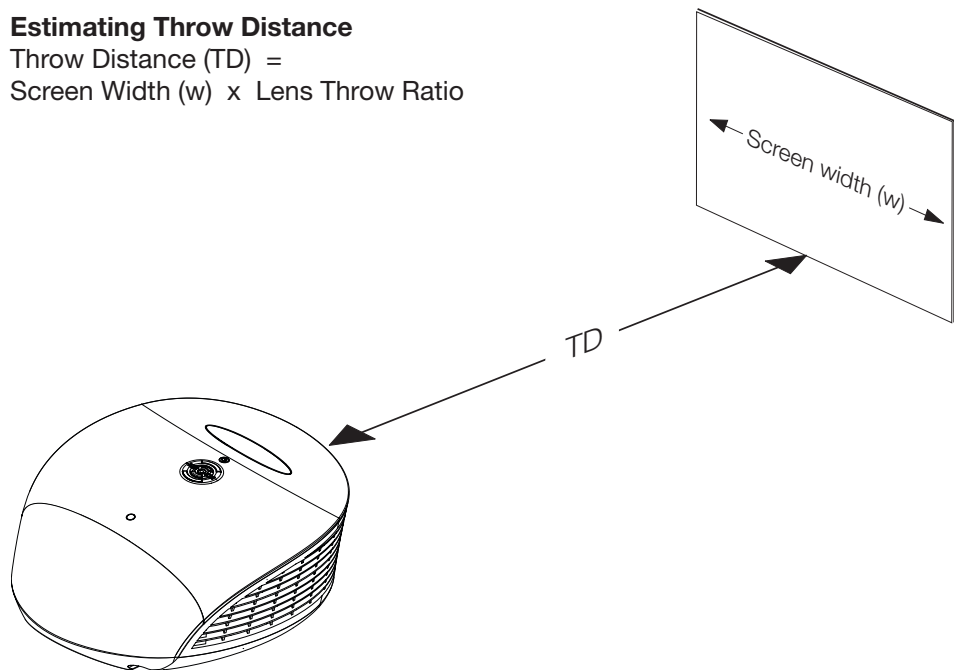
**Ambient Light** ➤ In general, minimize or eliminate light sources directed at the screen. Contrast ratio in your images will be noticeably reduced if light directly strikes the screen, such as when a shaft of light from a window or floodlight falls on the image. Images may then appear washed out and less vibrant.

**Throw Distance** ➤ Throw distance is the distance measured from the front of the projector to the screen. This is an important calculation in any projector installation as it determines whether or not you have enough room to install your projector with a desired screen size and if your image will be the right size for your screen.

You can quickly estimate the throw distance by taking the width of the screen and multiplying it by the lens throw ratio; see Figure 3-1. The result of this calculation tells you roughly how far back the projector should be positioned from the screen in order to project a focused image large enough to fill the screen.

**Estimating Throw Distance**

$$\text{Throw Distance (TD)} = \text{Screen Width (w)} \times \text{Lens Throw Ratio}$$



**Figure 3-1. Estimating Throw Distance**

Table 3-3 lists the available lens options for the LS-10d and their associated throw ratios.

**Table 3-3. LS-10d Lens Options and Throw Ratios (Note 1)**

Lens Option	Throw Ratio with Primary Lens Only	Throw Range in inches, with 96x54-inch (1.78:1) Screen		Throw Ratio with Primary Lens and Anamorphic Lens	Throw Range in inches, with 126.9x54-inch (2.35:1) Screen	
		Minimum	Maximum		Minimum	Maximum
Proteus 1	0.77 (Fixed)	For rear-screen installations only. Contact Runco Technical Support for more information.		Not Applicable (Note 2)		
Proteus 2	1.45 - 1.74	139.20	167.04			
Proteus 3	1.74 - 2.17	167.04	208.32	1.30 - 1.63	164.97	206.85
Proteus 4	2.17 - 2.90	208.32	278.40	1.63 - 2.17	206.85	275.37
Proteus 5	2.90 - 4.34	278.40	416.64	2.17 - 3.26	275.37	413.69
Proteus 6	4.34 - 6.76	416.64	648.96	3.26 - 5.07	413.69	643.38

*Notes:*

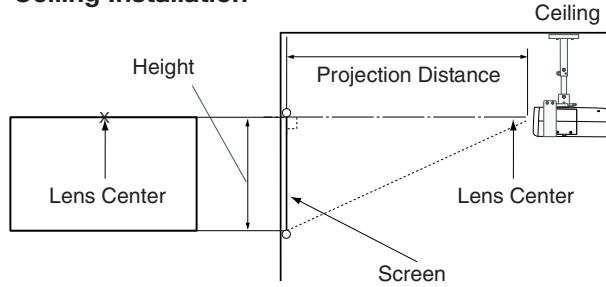
- Due to normal manufacturing variances, throw distance can vary by up to +/- 5 percent from these specifications.*
- Only the Proteus 3, 4, 5 and 6 lenses can be used with the optional anamorphic lens. Doing so affects the throw distances as shown here.*

**Vertical and Horizontal Position**

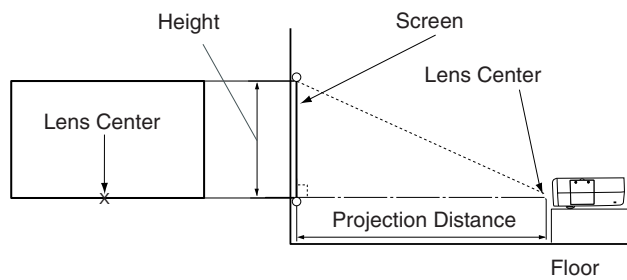
Proper placement of the projector relative to the screen will yield a rectangular, perfectly-centered image that completely fills the screen.

Ideally, the projector should be positioned perpendicular to the screen and in such a way that the lens center is aligned with either the top or bottom edge of the screen area, and centered horizontally. See Figure 3-2.

**Ceiling Installation**



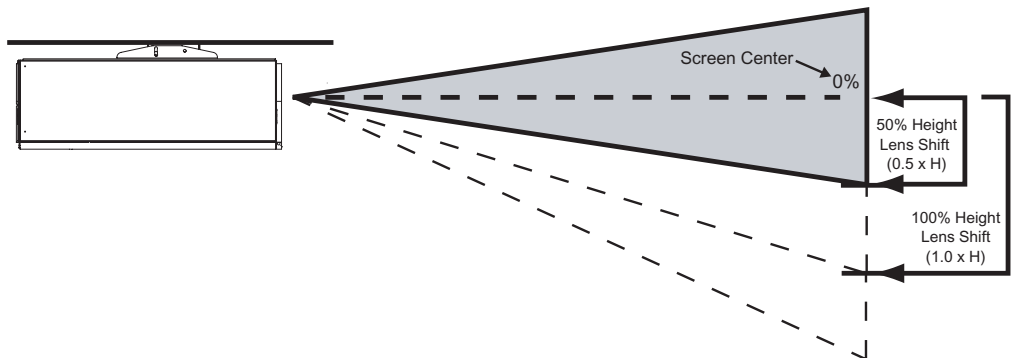
**Floor Installation**



**Figure 3-2. Projector Placement**

**Vertical and Horizontal Lens Shift**

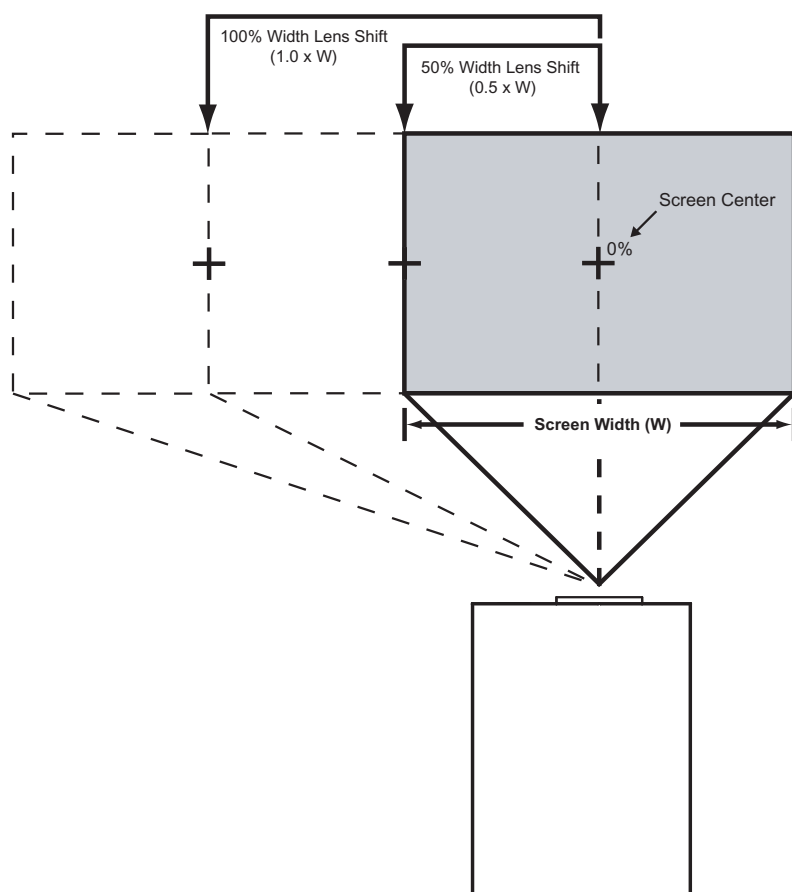
You can use the lens shift controls to center the image on the screen. Lens shift is generally expressed as a percentage of the screen height or width, as shown in Figure 3-3 and Figure 3-4.



**Note:** This is a general example of lens shift. Lenses vary in their shift capabilities. **No particular lens or projector is used in this example.**

**Figure 3-3. Vertical Lens Shift (EXAMPLE ONLY)**





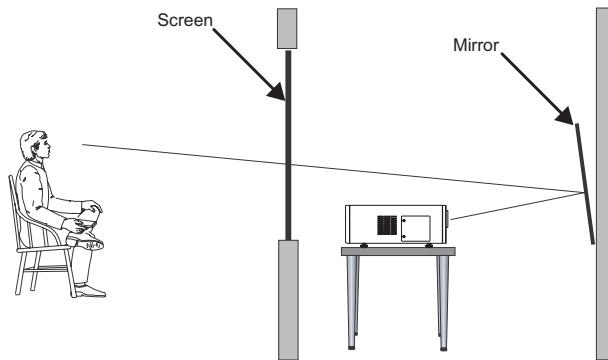
**Note:** This is a general example of lens shift. Lenses vary in their shift capabilities. **No particular lens or projector is used in this example.**

#### Figure 3-4. Horizontal Lens Shift (EXAMPLE ONLY)

**Vertical Lens Shift:** The LS-10d zoom lenses (Proteus 2 through 6) provide up to 65% of vertical lens shift in either direction (up or down). For example, with a 96 x 54-inch (16:9) screen, you can shift the image up to 35.10 inches (0.89 meters) below the screen center. (Vertical lens shift is not possible with the Proteus 1 lens.)

**Horizontal Lens Shift:** The LS-10d zoom lenses (Proteus 2 through 6) allow up to 30% of horizontal lens shift in either direction (left or right). For example, with a 96 x 54-inch (16:9) screen, you can shift the image up to 28.80 inches (73.15 cm) left or right of the screen center. (Horizontal lens shift is not possible with the Proteus 1 lens.)

**Folded Optics** ➤ In rear screen applications where space behind the projector is limited, a mirror may be used to fold the optical path, as shown in Figure 3-5. The position of the projector and mirror must be accurately set. If you are considering this type of installation, contact your dealer for assistance.



**Figure 3-5. Folded Optics**

**Audio/Video Synchronization Issues** ➤ Due to its extraordinarily high level of video processing performance, the DHD Controller may distribute video signals with a perceptible level of audio latency. In order to easily solve this issue, Runco recommends using the DHD Controller with a high-quality audio receiver that has the ability to effectively synchronize audio and video signals.

Most mainstream audio receiver/switchers have the ability to synchronize the audio and video to the Advanced Television Systems Committee (ATSC) prescribed tolerances. According to the ATSC, the sound program should never lead the video program by more than 15 milliseconds, and should never lag behind the video program by more than 45 milliseconds.

In addition, many video displays and A/V receivers introduce additional latency that needs to be compensated for during the installation. Table 3-4 shows the amount of possible audio latency given different signal input timings.

**Table 3-4. Possible Audio Latency for Various Input Timings**

Input Timing	Possible Audio Latency (milliseconds)
480i	133
480p	83
576i	160
576p	100
720p/50	100
720p/60	83
1080i/25	160
1080i/30	133
1080p/24	125
1080p/50	80
1080p/60	67

Other considerations and tips that can help improve your installation:

- Keep the ambient temperature constant and below 35°C (95°F). Keep the projector away from heating and/or air conditioning vents. Changes in temperature may cause drifts in the projector circuitry, which may affect performance.
- Keep the projector away from devices that radiate electromagnetic energy such as motors and transformers. Common sources of these include slide projectors, speakers, power amplifiers and elevators.

If you are installing a standard LS-10d (without an anamorphic lens), skip this step and proceed with **Mounting the LS-10d** (page 28).

If you are installing an LS-10d with an anamorphic lens, proceed as follows to install the lens mount and transport assembly.



### Note

1. Do not install the anamorphic lens yet, only the lens mount and transport assembly. You will install the anamorphic lens after you install the projector and adjust the primary lens.
2. Some components shipped with your projector may differ slightly from what is shown in these instructions.

The LS-10d Anamorphic lens mount kit consists of the following items. Some components shipped with your projector may differ slightly from what is shown in these instructions. If any items are missing or damaged, please contact your Runco dealer or Runco Customer Service at (800) 23RUNCO.

- Transport Assembly Attachment Plate
- Attachment plate hardware (screws, washers and spacers)
- Attachment plate security hooks and related hardware (chain, chain ends, nuts and washers)



- Transport Assembly
- Transport mounting hardware
- Lens bracket mounting hardware
- Power supply
- Remote control unit and batteries



## ◀ Other Considerations

### 3.4 Installing the Optional Anamorphic Lens Mount

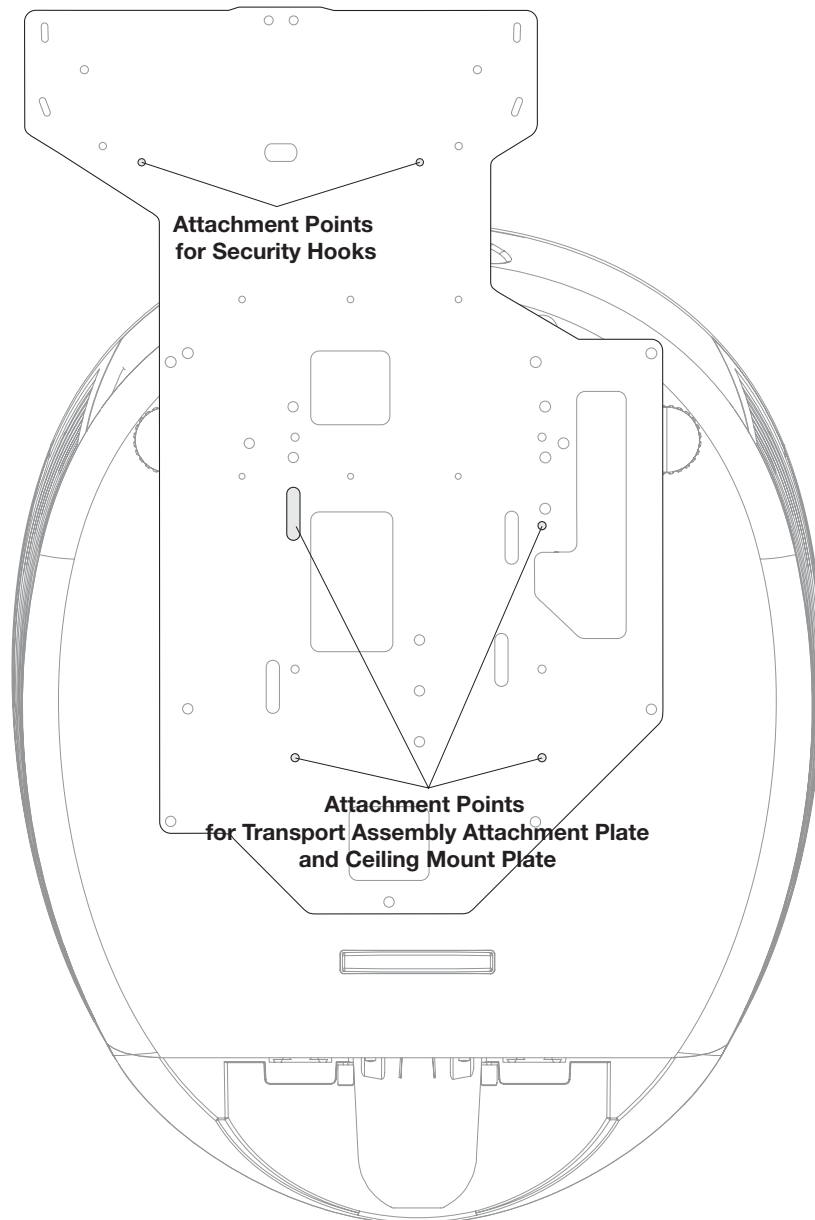
## ◀ Package Contents

- Anamorphic lens and mounting bracket



**Attaching the Transport Assembly Attachment Plate:**

1. Place the projector upside down on a blanket or other soft surface.
2. Position the attachment plate as shown here.

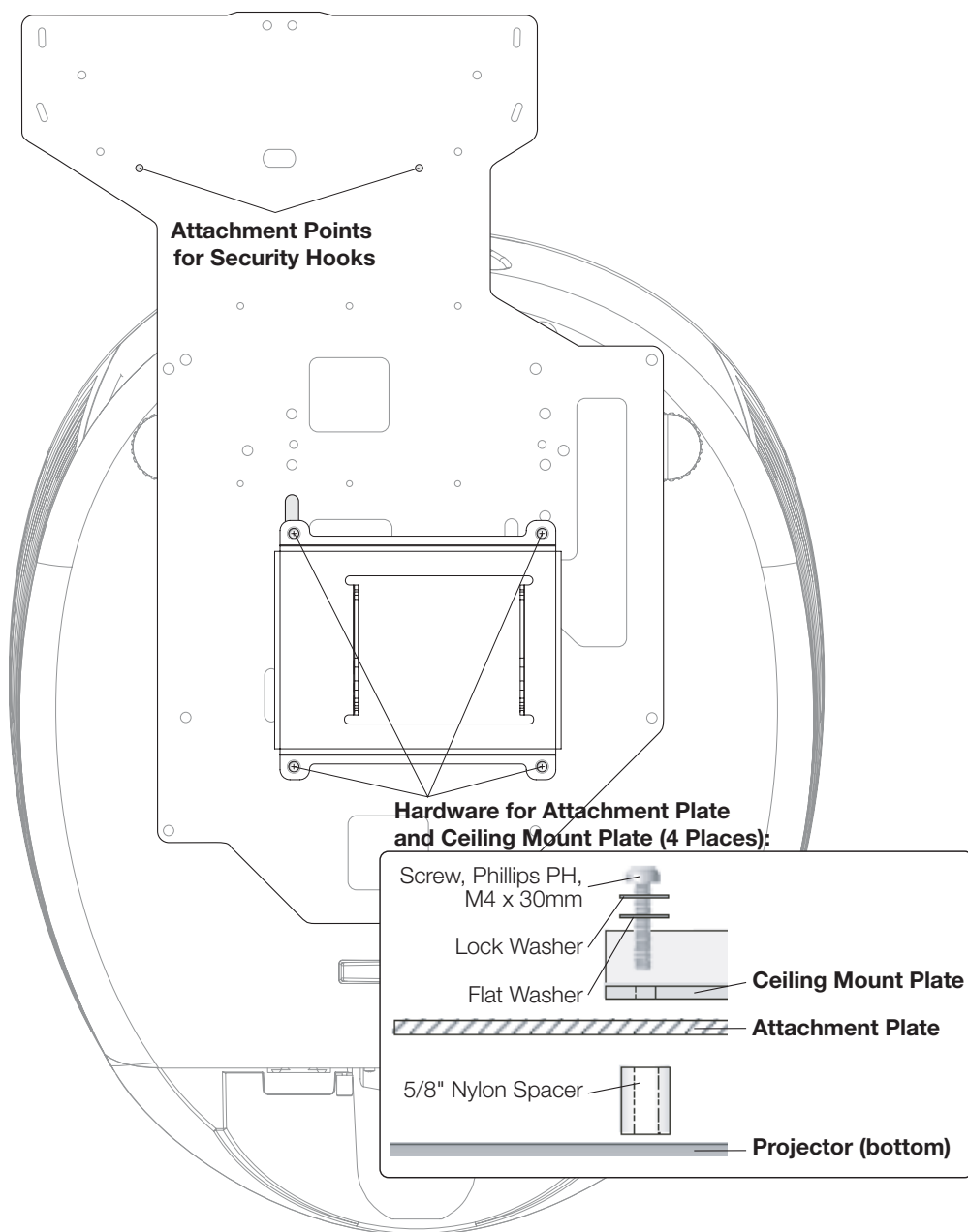


3. **If you are mounting the projector on a ceiling:** Line up the holes on the Ceiling Mount Plate (included with the projector ceiling mount kit) with those on the bottom of the projector and attachment plate.
4. Secure the Transport Assembly Attachment Plate and Ceiling Mount Plate to the projector using the hardware provided with the attachment plate, as shown.

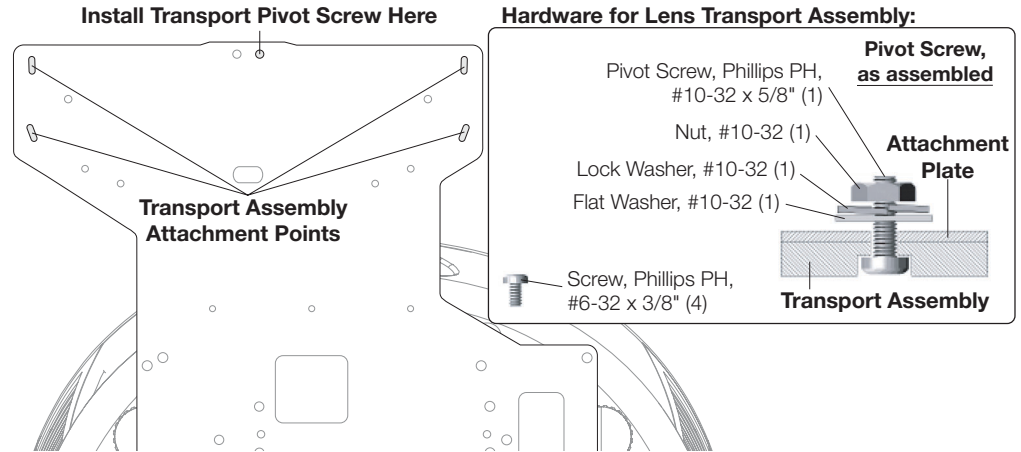
**Caution**

1. **Do not use the mounting screws provided with the ceiling mounting kit.** Use only the hardware provided with the Transport Assembly Attachment plate.

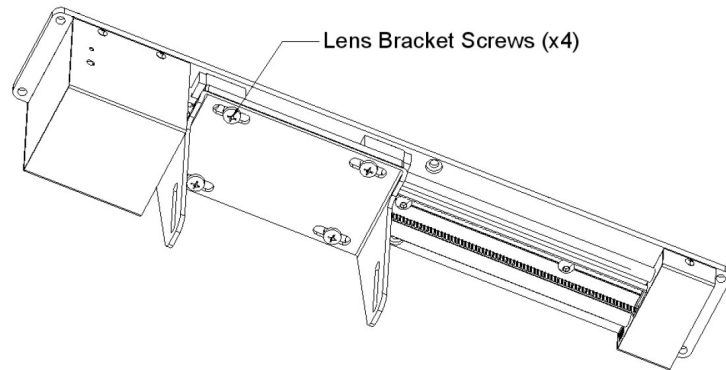
2. **DO NOT OVER-TIGHTEN THE SCREWS.**



**Installing the Anamorphic Lens Transport Assembly:** After installing the Transport Assembly Attachment Plate and Ceiling Mount Plate, proceed as follows to install the Anamorphic Lens Transport Assembly.



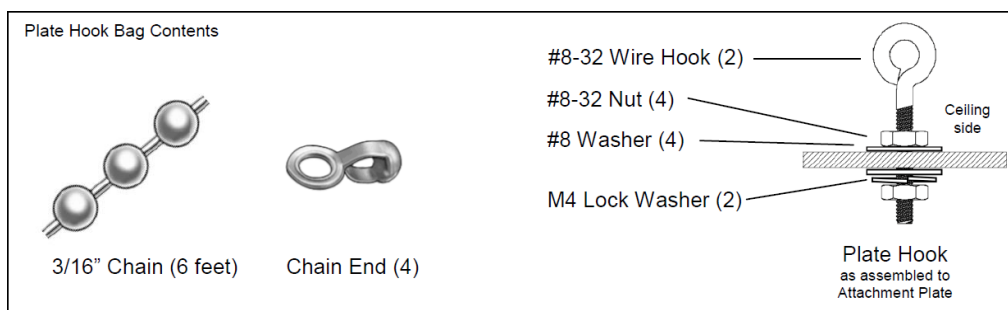
1. Position the flat side of the motorized transport against the bottom side of the Attachment Plate so that the center "M" hole in the Attachment Plate is aligned with the front recessed transport hole.
2. Insert the #10-32 pivot screw up through the transport and Attachment Plate and loosely complete the assembly with the corresponding washer, lock washer and nut.
3. Loosely insert the four small 3/8" screws through the four remaining "M" slots through the top of the Attachment Plate and down into the transport.
4. Separate the Anamorphic Lens and lens bracket. Locate the lens bracket mounting screws and use them to attach the bracket to the transport assembly. Observe the sticker on the plate showing the correct sequence for installing and tightening the screws.



**Attaching the Security Hooks:** To help stabilize and support the added weight of the Anamorphic Lens and Lens Transport Assembly, the attachment plate includes two security hooks and related hardware for attaching the front part of the plate to the ceiling above.

Proceed as follows to attach the security hooks. This requires the following tools and materials:

- Pliers
- Scissors
- Ceiling Hooks (not supplied)



1. Install the Plate Hook Assemblies in the two "H" holes of the Attachment Plate (see diagram on page 25) with the hook ends on the ceiling side as shown above.
2. Use pliers to bend the closed hooks apart just enough to install a Chain End at a later time.
3. Attach the plate hooks to the ceiling as described in the section entitled **Ceiling Mounting (Inverted)**, on the next page.



### 3.5 Mounting the LS-10d

There are several methods for mounting the projector. Depending on your chosen installation, one method may be more suitable than another.

#### **Floor Mounting (Upright) ►**

In typical front and rear screen installations, the projector can be mounted to a secure and level surface such as a table or cart. Carts are useful when moving a projector during a presentation or from site to site. If possible, lock the wheels when it's in position to prevent it from being moved during a presentation.

#### **Ceiling Mounting (Inverted) ►**

For fixed installations, and for those that want the projector out of sight or have a limited space for projector and audience, you can invert the LS-10d and suspend it from the ceiling using a specially-designed ceiling mount fixture.



#### **Note**

*Use only the Runco-approved ceiling mount kit designed for your projector.*

Install the ceiling mount kit according to the instructions provided with it.

If you are ceiling-mounting an LS-10d with an anamorphic lens, perform these additional steps to secure the plate Security Hooks to the ceiling (refer to **Attaching the Security Hooks** on the previous page).

1. Install ceiling hooks (not supplied) into the ceiling directly above the Plate Hooks. The ceiling hooks should be small enough to accept a Chain End but strong enough when installed to each support 40 pounds or more.
2. Attach a Chain End to the Chain and then connect it to one of the ceiling hooks.
3. Cut the Chain to a length equal to or slightly greater than the distance between the ceiling hook and the corresponding Plate Hook.
4. Attach a Chain End to the other end of the Chain. Then, use the Chain to connect the ceiling hook and the Plate Hook.
5. Repeat Steps 2 through 4 for the other ceiling hook/Plate Hook pair.

#### **Installing the Projector in an Enclosure ►**

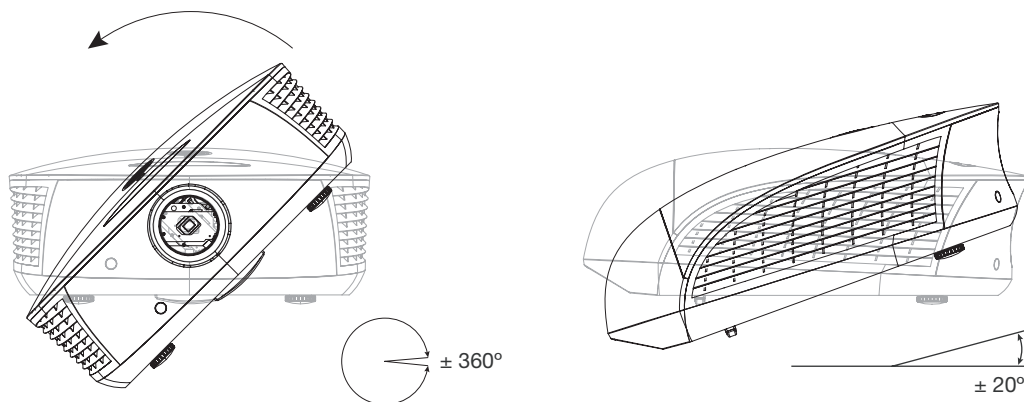
The projector can also be inverted and placed in an enclosure above and behind the viewing area. Install four feet on the inside bottom surface of the enclosure on which the projector can rest. A variety of materials can be used for this purpose (for example, rubber crutch tips or turntable feet).



If the LS-10d is ceiling-mounted and the screen is significantly lower than the projector, you can tilt the projector at a slight angle by adjusting the ceiling mount.

The projector can be rotated (side-to-side) up to 360 degrees and mounted without it affecting performance. However, to ensure optimal performance of the lamp, limit the front-to-back tilt of the projector to  $\pm 20$  degrees; see Figure 3-6.

◀ **Adjusting the Projection Angle**



**Figure 3-6. Mounting Angle Ranges (Front-to-Back and Side-to-Side)**

If you do this, you may need to shift the image using the on-screen display (OSD) controls, to compensate. For detailed instructions, refer to **Primary Lens Adjustments** on page 40.

---

### 3.6 Connections to the LS-10d and DHD Controller

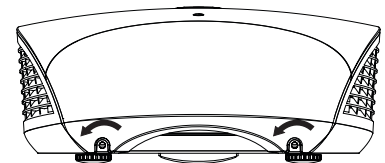
Proceed as follows to connect the DHD Controller to the LS-10d, your video sources, external controller(s) – if present – and AC power.

When connecting your equipment:

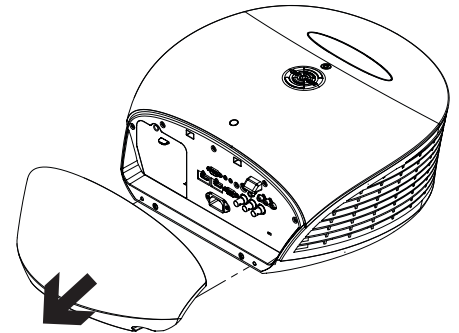
- Turn off all equipment before making any connections.
- Use the correct signal cables for each source.
- For best performance and to minimize cable clutter, use high-quality cables that are only as long as necessary to connect two devices. (Don't use a 20-foot cable when a 6-foot cable will suffice.)
- Ensure that the cables are securely connected. Tighten the thumbscrews on connectors that have them.

#### **Connector Panel Access** ➤

Using a flat-blade screwdriver, loosen the two screws holding the rear compartment cover in place.



Then, remove the rear compartment cover by tilting it upward.



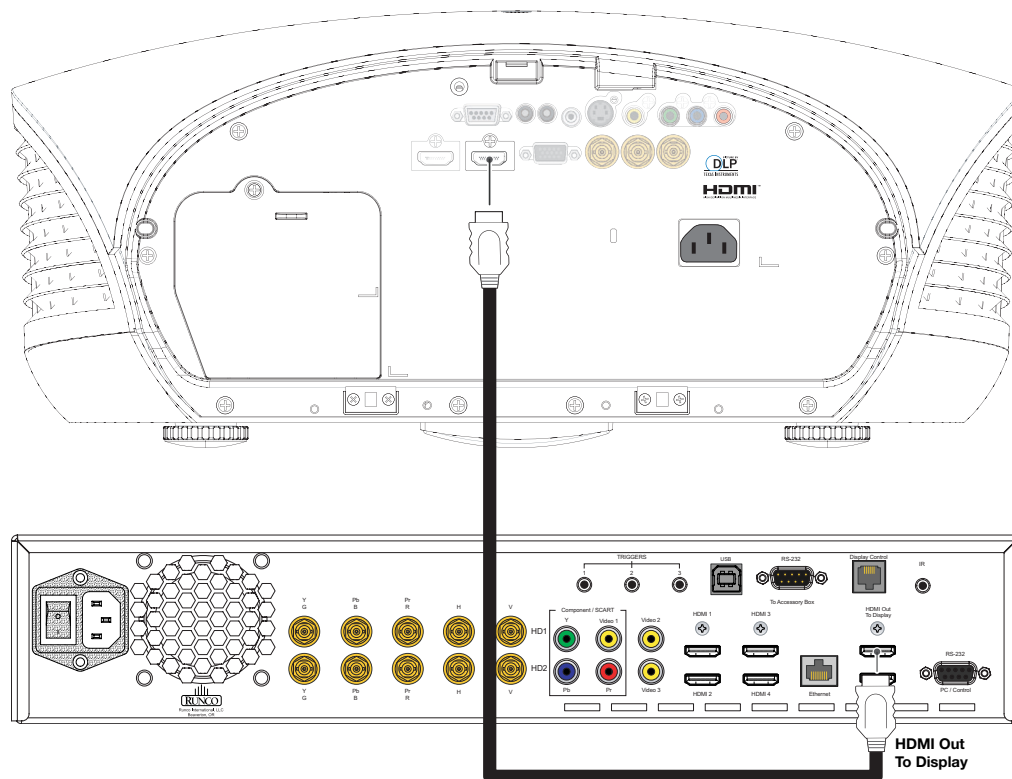
**Digital Video Connection:** Connect the “HDMI Out To Display” connector on the DHD Controller to the DHD Input of the LS-10d as shown in Figure 3-7.

◀ **Connecting the DHD Controller to the LS-10d**



**Caution**

**Use an HDMI cable for this connection.** A DVI cable with DVI-to-HDMI adapters will not work.



**Figure 3-7. Connecting the LS-10d to the DHD Controller**

**Connecting Source Components to the DHD Controller**

Connect your video sources to the DHD Controller as shown and described in the sections that follow.

**HDMI Source Connections:** See Figure 3-8.



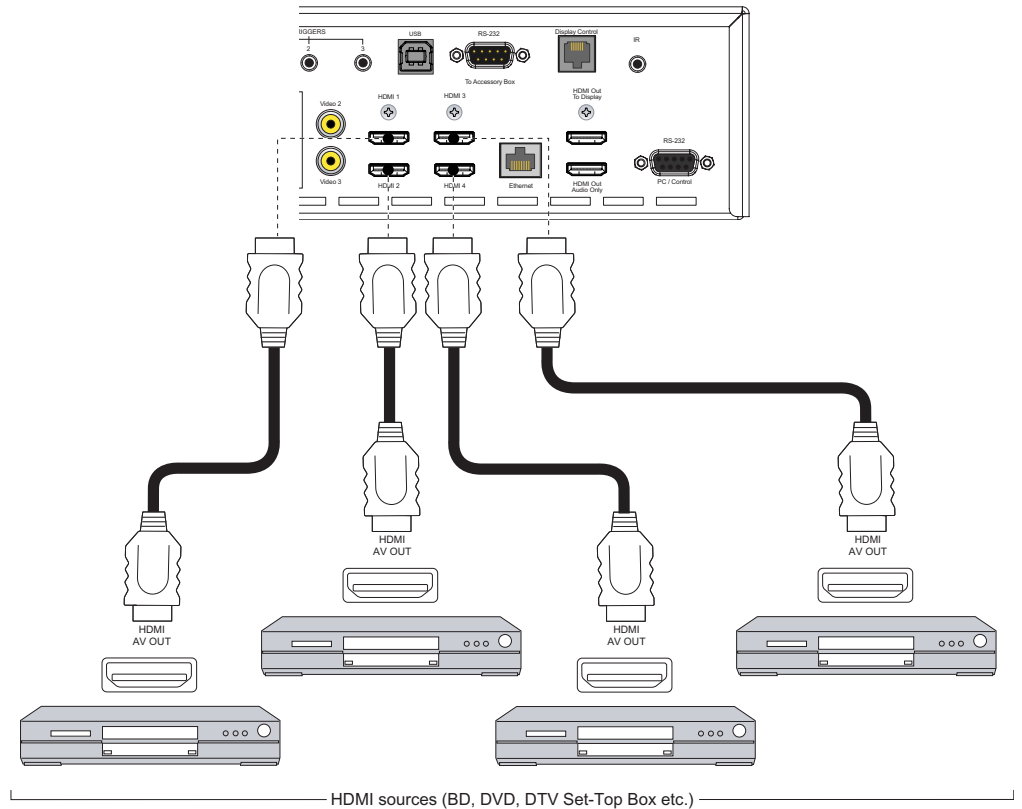
**Tip**

Use the HDMI inputs whenever possible. This ensures the highest video quality because the signal is carried in the digital domain throughout the entire signal path, from source component output into the projector.



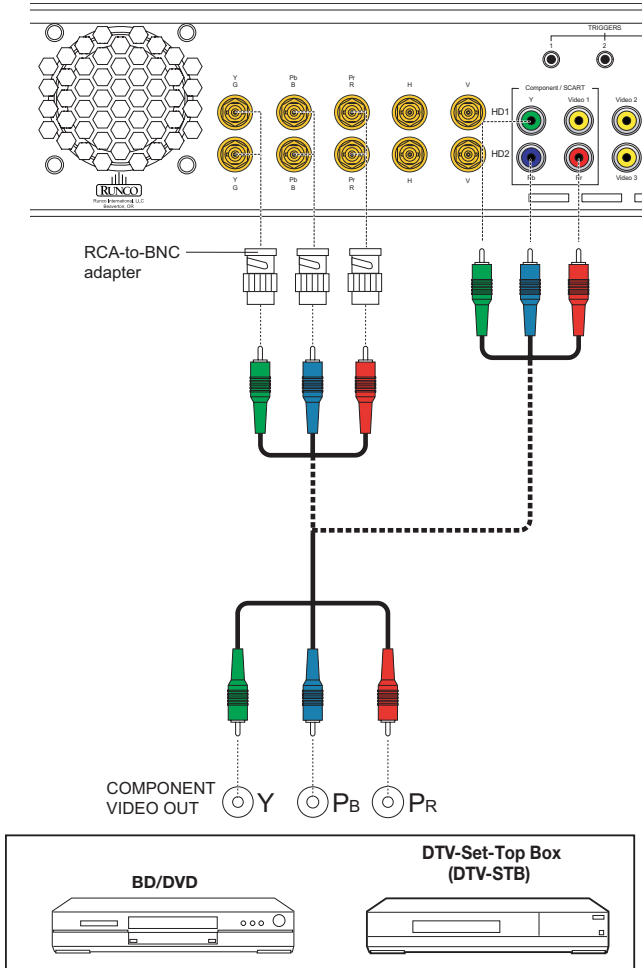
**Note**

You can also connect computers with DVI output to these inputs. Refer to **Supported Timings** on page 91 for a list of compatible input signals.



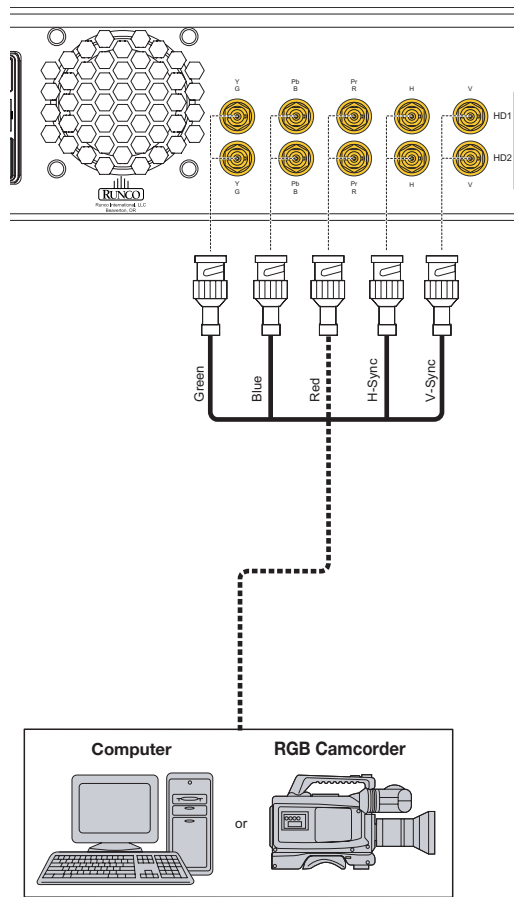
**Figure 3-8. HDMI Source Connections**

**Component Video Source Connections:** Connect your component video sources to the HD1, HD2 and/or Component/SCART inputs as shown in Figure 3-9.



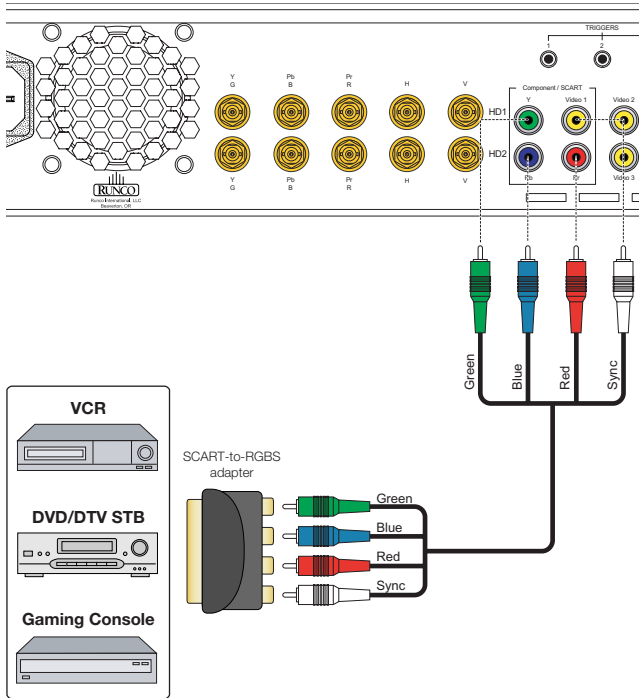
**Figure 3-9. Component Video Source Connections**

**RGBHV Source Connections:** Connect personal computers and/or other RGB sources to the HD1 and/or HD2 inputs as shown in Figure 3-10.



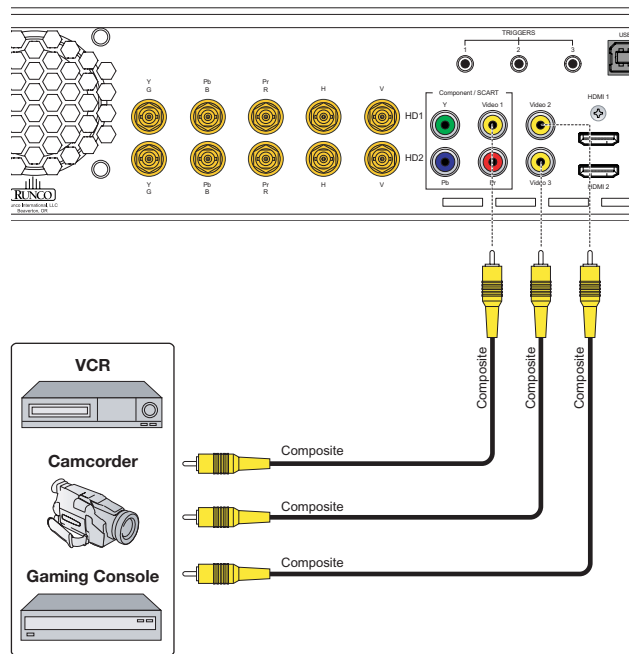
**Figure 3-10. RGBHV Source Connections**

**SCART RGBS Source Connections:** Connect the green, blue and red outputs from your SCART source to the Component/SCART input on the DHD Controller. Connect the sync output from your SCART source to the **Video 1** input on the DHD Controller. See Figure 3-11.



**Figure 3-11. SCART RGBS Source Connections**

**Composite Source Connections:** See Figure 3-12.

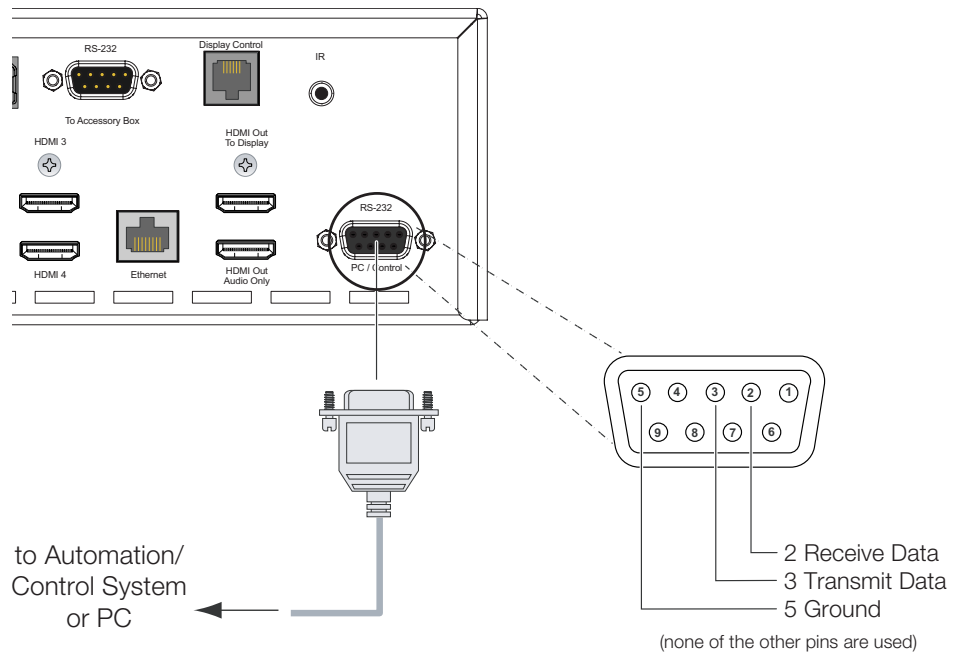


**Figure 3-12. Composite Video Source Connections**

**RS-232 Controller Connection** ➤

Use a straight-through, 9-pin RS-232 cable to connect a PC or control/automation system (if present) to the RS-232 port on the DHD Controller; see Figure 3-13.

For more information about using this connection, refer to **External Control** on page 75.

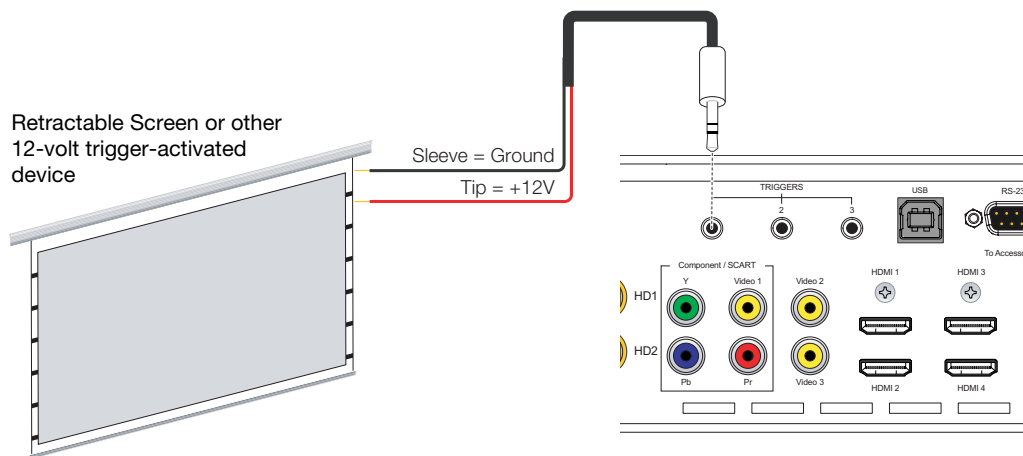


**Figure 3-13. RS-232 Control System Connection**



**DHD Controller:** Connect retractable screens, screen masks or other 12-volt trigger-activated equipment to the 12-volt trigger outputs on the DHD Controller; see Figure 3-14.

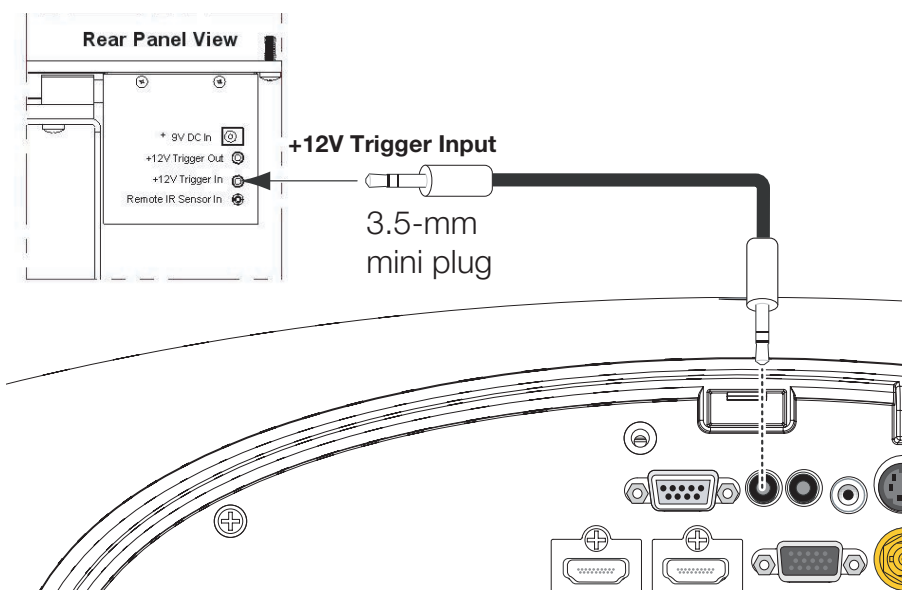
◀ **Connecting 12-volt Trigger Outputs to External Equipment**



**Figure 3-14. 12-volt Trigger Output Connection from DHD Controller**

**Projector:** If your LS-10d is equipped with an anamorphic lens, connect the lens transport to the **TRIGGER 1** output on the LS-10d; see Figure 3-15.

The DHD Controller automatically activates this trigger whenever the Cinema or Virtual Cinema aspect ration is chosen.



**Figure 3-15. 12-volt Trigger Output Connection from Projector to Lens Transport**

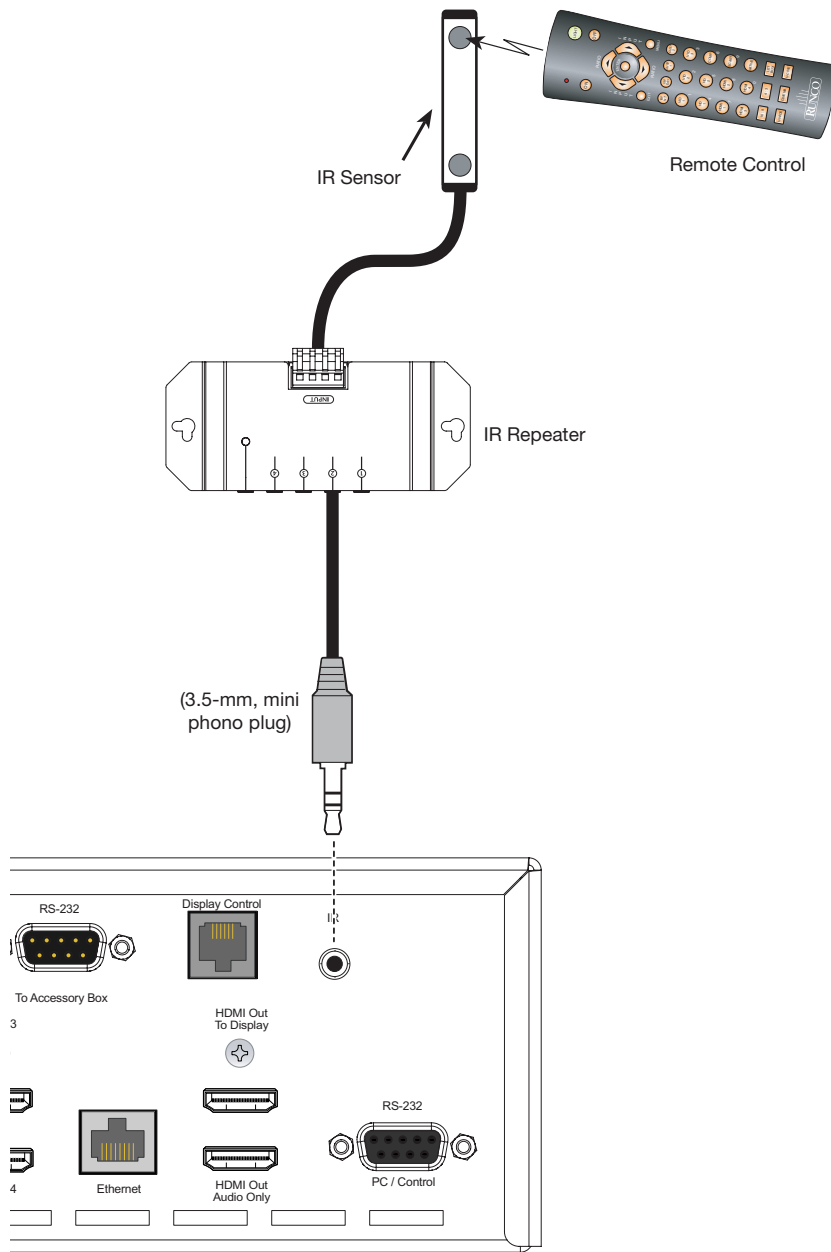


**Note**

You can also use a 12-volt trigger output on the DHD Controller to control the lens transport; however, you must manually configure it for this purpose. Refer to **Configure Lens Motor Trigger on DHD Controller (Optional)** on page 43 for more information.

**Connecting an External IR Receiver to the DHD Controller**

If infrared signals from the remote control cannot reach the DHD Controller due to excessive distance or obstructions such as walls or cabinet doors, you can connect an external IR receiver to the DHD Controller to extend the range of the remote control. See Figure 3-16.



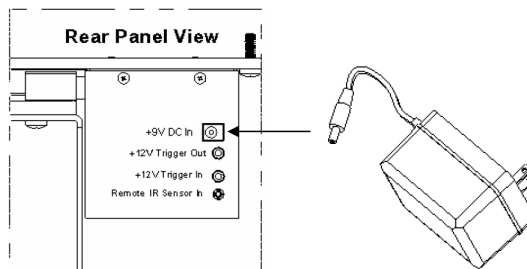
**Figure 3-16. External IR Receiver Connection**

**Projector/DHD Controller:** Plug the female end of one power cord into the AC receptacle on the rear of the LS-10d (AC 100V ~ 240V). Then, connect the other end to your AC power source.

◀ **Connecting to AC Power**

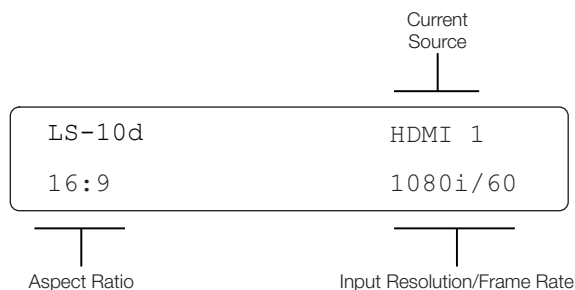
Similarly connect the DHD Controller to a nearby AC outlet.

**Anamorphic Lens Transport:** An AC-to-DC power adapter is provided for the lens transport. Connect the power adapter to the **+9V DC In** jack on the rear of the lens transport assembly. Connect the other end to an AC power source.



1. Turn on your source components.
2. Turn on the main power switch at the rear of the DHD Controller.
3. Press the **ON** button on the remote control (or the **ON/STANDBY** (⏻) button on DHD Controller front panel) to turn on the system. The vacuum fluorescent display on the DHD Controller front panel briefly displays “Initializing System,” followed by “Starting LS-10d.”
4. When the projector is ready for use, the fluorescent display indicates the active source, input resolution/frame rate and aspect ratio; for example:

**3.7**  
**Turning on the Power**



---

### 3.8 Primary Lens Adjustments

To access the motorized lens controls:

1. On the DHD Controller remote control or front panel, press **MENU**.
2. Select **Service** from the Main Menu and enter the Service Menu passcode.



**Note**

*You must enter a passcode to access the Service menu.*

3. Select **Display Device** from the Service Menu.
4. Select **Configure** from the Display Device menu, then select **Lens**.

The Lens menu gives you a great deal of control over the picture size, position and focus:

**Focus** ➤ To focus the projected image, use the cursor buttons to highlight “In” or “Out.” Then, press and hold the **ENTER** button.

**Zoom** ➤ To make the picture smaller (zoom out), use the cursor buttons to highlight the minus sign (-). Then, press and hold the **ENTER** button.

To enlarge the picture (zoom in), use the cursor buttons to highlight the plus sign (+). Then, press and hold the **ENTER** button.

**Vertical and Horizontal Lens Shift** ➤ To change the lens position, use the cursor buttons to highlight “Left,” “Right,” “Up” or “Down” in the Lens menu. Then, press and hold the **ENTER** button to shift the lens in that direction.

---

### 3.9 Adjusting the Picture Orientation

By default, the LS-10d is configured for a “floor/front” installation, in which the projector is installed upright and in front of the screen. If it is installed behind the screen and/or mounted on a ceiling, you must change the picture orientation. To do this:

1. On the DHD Controller remote control or front panel, press **MENU**.
2. Select **Service** from the Main Menu and enter the Service Menu passcode.



**Note**

*You must enter a passcode to access the Service menu.*

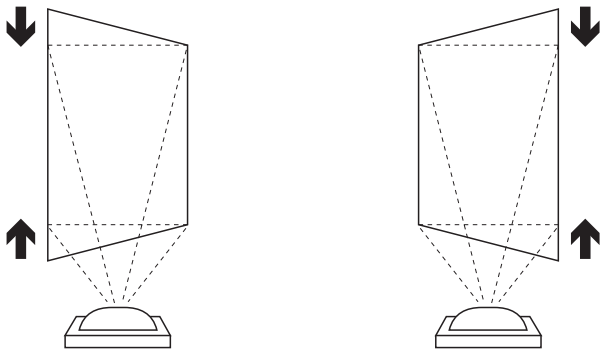
3. Select **Display Device** from the Service Menu.
4. Select **Configure** from the Display Device menu, then select **Installation**.
5. Select **Orientation**, then choose Floor/Rear, Ceiling/Front or Ceiling/Rear, to match the installation method.

Projector and/or screen placement — among other things — can cause geometric distortion in the projected image.

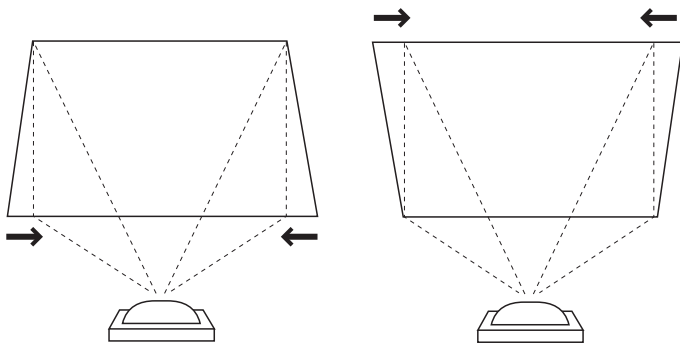
To correct this, the DHD Controller provides precise, nine-point control over the projected image geometry. Use these controls as (and **only if**) needed to re-position the image corners, mid-points and center to eliminate “keystoning” (mis-aligned corners) or “pincushion” distortion (mid-points not aligned with corners). See Figure 3-17.

### 3.10 Adjusting the Image Geometry

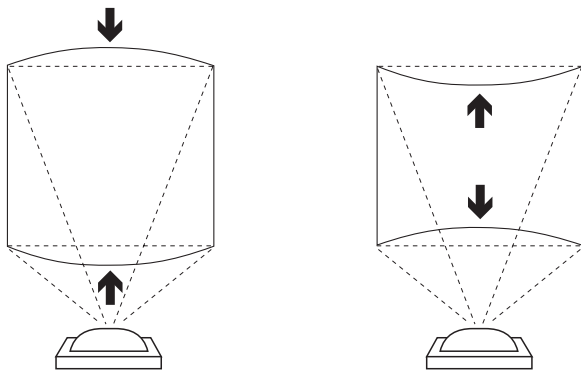
#### Horizontal Keystoning



#### Vertical Keystoning



#### Pincushion Distortion



**Figure 3-17. Keystone and Pincushion Distortion**

“Keystoning” usually occurs when the projector is tilted relative to the screen. “Pincushion” distortion can sometimes occur if the throw distance is very short and/or the projector is equipped with an anamorphic lens.

To correct keystoning or pincushion distortion:

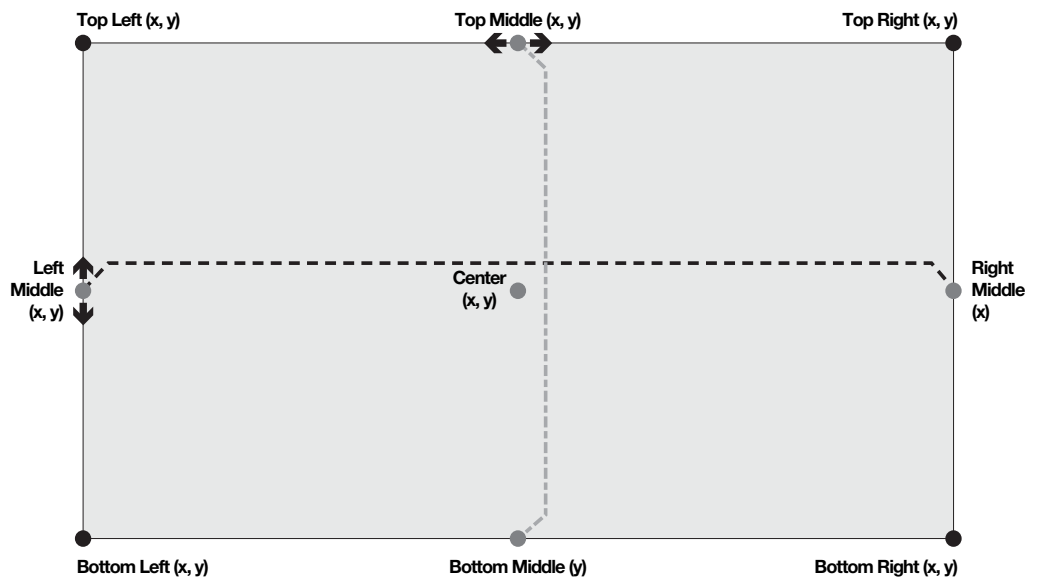
1. On the DHD Controller remote control or front panel, press **MENU**.
2. Select **Calibration** from the Main Menu and enter the Calibration Menu passcode.



**Note**

*You must enter a passcode to access the Calibration menu.*

3. Select **Image Alignment** from the Calibration Menu.
4. Select **Corner Alignment** to correct a “keystoned” image by adjusting the image corner positions. Select **Midpoint Alignment** to correct pincushion distortion by adjusting the image edge mid-points. See Figure 3-18.



**Notes:**

1. Bottom Middle x = Top Middle x
2. Right Middle y = Left Middle y
3. Smaller “x” values move a point to the left; larger values move it to the right.
4. Smaller “y” values move a point up; larger values move it down.

**Figure 3-18. Image Alignment Controls**



**Note**

*The “Left Middle y” setting also controls the “Right Middle” y-coordinate. Similarly, the “Top Middle x” setting also controls the “Bottom Middle” x-coordinate.*

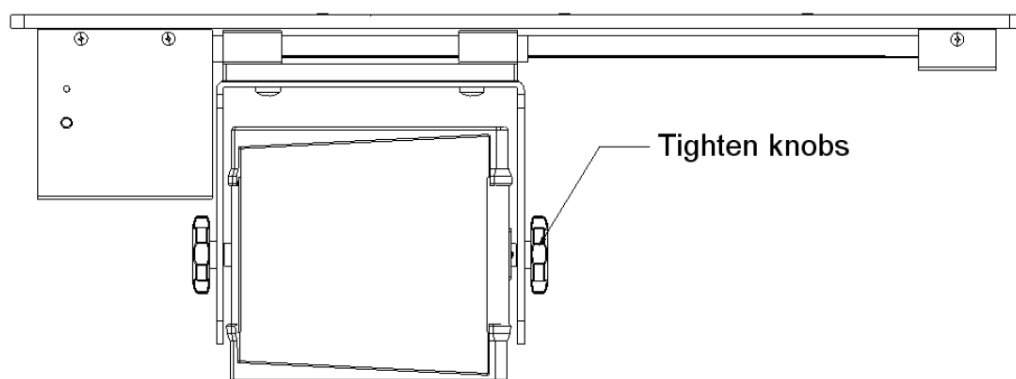
If you are installing an LS-10d with an anamorphic lens, proceed as follows to install and adjust the lens.



**Note**

*It is extremely important that the primary lens is properly adjusted before you install the anamorphic lens. Ensure that the image from the primary lens is perfectly centered on the screen.*

Attach the anamorphic lens to the bracket using the plastic knobs supplied with the lens. See Figure 3-19.



**Figure 3-19. Attaching the Anamorphic Lens to the Lens Mount**

**Configure Lens Motor Trigger on DHD Controller (Optional):** The anamorphic lens solution for the LS-10d maintains constant image height independent of the aspect ratio, while using the full display resolution of the projector. It accomplishes this by moving the anamorphic lens in front of the primary lens when widescreen material is being viewed. When the viewer transitions back to 16:9 or 4:3 source material, the anamorphic lens moves out of the light path.

If you are using a trigger on the DHD Controller to control the lens transport motor, proceed as follows to configure it for proper operation.



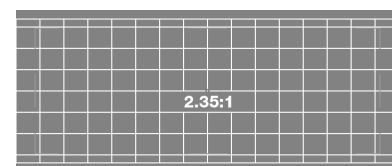
**Note**

*You can skip this step if you connected the lens transport motor to the **TRIGGER 1** output on the LS-10d, as shown in Figure 3-15.*

1. Project a 2.35:1 aspect ratio test pattern or other image on the screen.
2. On the DHD Controller remote control or front panel, press **MENU**.

### 3.11 Installing and Adjusting the Anamorphic Lens

#### ◀ Anamorphic Lens Installation and Adjustment



3. Select **Service** from the Main Menu and enter the Service Menu passcode.



**Note**

*You must enter a passcode to access the Service menu for the first time after turning on the system.*

4. Select **Triggers** from the Service menu.
5. Assign the trigger output to which the lens motor is connected to the Cinema and Virtual Cinema aspect ratios. This enables the lens motor to move the anamorphic lens into position (in front of the primary lens) when either aspect ratio is selected.
6. Select the Cinema aspect ratio to move the anamorphic lens into position, if it isn't already. To do this, press **CINEMA** on the DHD Controller remote control (Figure 2-6), or press ▲ or ▼ repeatedly with no menus visible on-screen.

**Adjusting the Lens Position:**

1. Adjust the vertical position and tilt of the lens so that the projector beam is passing through the center of the lens and any residual pincushion distortion is about the same at the top and bottom of the image. This typically results in the anamorphic lens being below the center of the primary lens and tilted slightly downward.
2. Tighten the knobs.



**Note**

*There may be some pincushion distortion even after the lens is properly adjusted, especially at shorter throw distances. If this is the case, Runco recommends that you slightly over-scan the image into the screen frame area to mask the distortion.*

3. Adjust the rotation of the Lens Transport Assembly so that the left and right sides of the image are an equal distance from their respective screen borders.
4. Tighten the Pivot Screw and the four mounting screws holding the transport to the Attachment Plate.
5. For optimum multiple aspect ratio performance, adjust the projector's zoom so that a 1.85:1 aspect ratio movie is just masked by the top and bottom of the screen border when the anamorphic lens is not in front of the primary lens. This way 1.85:1, 16:9 and 2.35-2.4:1 aspect ratio movies are all presented to fill the screen at a constant height.
6. Remove the protective film from the front of the anamorphic lens.





# 4. Operation

To display the Main Menu, press the **MENU** button on the remote control (Figure 2-6) or DHD Controller front panel (Figure 2-4).

To select a menu item, use the **▲** and **▼** buttons on the remote control or DHD Controller front panel to highlight it. Then, to confirm your selection, press **ENTER** on the remote control or DHD Controller front panel.

The DHD Controller OSD menus are arranged hierarchically, as shown in Figure 4-1. Depending on the selected input source and signal characteristics, some menu options may not be available.

## 4.1 Using the On-Screen Menus

<b>Input Source</b>	Composite 1	<b>Calibration</b>	Display Color	Gain	-100, -99... <b>0</b> ... 99, 100
	Composite 2			Offset	(Red, Green, Blue)
	Composite 3			Gamma	1.8, 2.0, <b>2.2</b> , 2.35, 2.5
	Component			Lamp	Power (230W or <b>260W</b> )
	HD 1			Color Temp	Simple (5500K, <b>6500K</b> , 7500K or 9300K)
	HD 2			ConstantContrast	<b>On</b> / Off
	SCART			Color Gamut	Auto, REC709, SMPTE-C, EBU, <b>Native</b> or PCE
	HDMI 1			PCE	Hue (Red / Yellow / Green / Cyan / Blue / Magenta)
	HDMI 2				Saturation (Red / Yellow / Green / Cyan / Blue / Magenta)
HDMI 3	Level (Red / Yellow / Green / Cyan / Blue / Magenta)				
HDMI 4	White Balance (Red / Green / Blue Gain)				
<b>Aspect Ratio</b>	16:9	Input Image	Brightness	-50, -49 ... <b>0</b> ... 49, 50	
	4:3		Contrast		
	Letterbox		Color		
	VirtualWide		Tint		
	Cinema		Sharpness		
	Virtual Cinema		Noise Filter		
<b>Picture</b>	Native	Input Color	Gain	-32, -31... <b>0</b> ... 31, 32	
	Brightness		Offset	(HD 1, HD 2 and Component inputs only)	
	Contrast		Chroma Delay	<b>0</b> , 1, 2 ... 7 (Composite inputs only)	
	Color		Noise Filter	<b>0</b> , 1, 2 ... 63	
	Tint	Save ISF Night	Back / Confirm		
	Sharpness	Save ISF Day	Copy/Paste	Copy Settings Paste Settings	
<b>Input Position</b>	Noise Filter	Output Shift	Left/Right	-50, -49 ... <b>0</b> ... 49, 50	
	Left/Right		Up/Down		
	Up/Down		Width		
	Width	Height	Image Alignment	Corner Alignment	Top Left / Top Right / Bottom Left / Bottom Right
	Height	Overscan		Midpoint Alignment	Center / Top Middle / Left Middle / Right Middle / Bottom Middle
	Overscan	Overscan Mode (Zoom/Crop)		Splash Configure	Owner Name
Phase (RGB/Component/SCART signals only)	Phase (RGB/Component/SCART signals only)	ISF Calibrated			
Tracking (RGB/Component/SCART signals only)	Tracking (RGB/Component/SCART signals only)	ISF Other			
<b>Memory Presets</b>	Recall ISF Night or ISF Day	OSD Position	Splash Timer	5, 6, 7 ... <b>15</b> ... 59, 60	
	Recall/Save Custom 1 or Custom 2		Splash Enable	On/Off	
	Reset Custom 1 and Custom 2 to Factory Default		Hor. / Ver.	<b>0</b> , 1, 2 ... 100	
<b>Sleep Timer</b>	<b>Off</b> , 30 Minutes, 60 Minutes, 90 Minutes, 2 Hours or 4 Hours				
<b>Information</b>	Signal				
	System				
	Network				
	Field Service				
	Manufacturing				

**Note:** Default settings appear in **bold type**.

**Figure 4-1. DHD Controller OSD Menu Structure for LS-10d**

<b>Service</b>	Test Video	Color Bars 1	
		Color Bars 2	
		Focus	
		Grey Bars	
	Input Names	Rename/Restore	
	Display Device - Configure	Installation	Picture Orientation: Auto, <b>Floor Front</b> , Ceiling Front, Floor Rear or Ceiling Rear
		Lens	Focus
			Zoom
			Shift
		Lamp Info. (read-only)	Serial Number, Hours
		Lamp Hours Reset	Yes / No
	Diagnostics	White, Red, Green, Blue, Yellow, Cyan, Magenta	
	Altitude	<b>Auto</b> / High	
	Network	IP Configuration	DHCP ( <b>On</b> / Off), IP Address, Subnet Mask, Default Gateway, Communication Test
		Auto Firmware Upgrade	Auto Check for New Firmware, Auto Perform Upgrade, Check for New Firmware
		E-Mail Notification	E-Mail Address, Error Notification, Error Notification to Runco, Periodic Service Notification, Lamp Life Notification, Customer Information, E-Mail Calibration Data
		Remote Network Control	<b>On</b> / Off
	Color Space	<b>Auto</b> , REC601, REC709, RGB-PC or RGB-Video	(Not available on Composite 1, Composite 2 or Composite 3 inputs)
	Triggers	1 / 2 / 3	
	Miscellaneous	Language	English, Français, Deutsch, Italiano, Español, Svenska, Traditional Chinese, Simplified Chinese, Português or Russian
		OSD Timer	0 (no timeout) or 5, 6, 7 ... <b>15</b> ... 60 sec.
		OSD Messages	On / Off
		Blank Screen Color	Red/Green/Blue = <b>0</b> , 1, 2, 3 ... 255
		Sidebar Color	
		Film Mode (SD sources only)	On / Off
		CUE (Chroma Upsampling Error)	On / Off
	Remote Code	00, 01, 02 ... <b>17</b> ... 31	
	Sync Threshold	0, 1, 2 ... 15	(HD 1, HD 2 and Component inputs only)
	HDMI	HDMI EDID Extension	<b>On</b> / Off (per HDMI input)
		Audio Format	Combined / HDMI Out (To Display) / <b>HDMI Out (Audio Only)</b>
		CEC	<b>On</b> / Off
	Front Panel Brightness	Logo LED	0 (off), 1, 2 ... <b>31</b>
		Standby LED	<b>On</b> / Off
LCD		0 (off), 1, 2, 3 or <b>4</b>	
Auto Power Off	Enable	On / <b>Off</b>	
	Hours	1, 2, 3, 4, ... <b>8</b> ... 23, 24	
System Reset			

Figure 4-1. DHD Controller OSD Menu Structure for LS-10d (continued)

The Main Menu is the starting point for accessing all DHD Controller functions. (You must enter a passcode to access the Calibration and Service menus.)

◀ **Main Menu**

Runco Video	
Input Source	
Aspect Ratio	
Picture	
Input Position	
Memory Presets	
Sleep Timer	
Information	
Calibration	
Service	

From the Main Menu, select Input Source to choose a video signal source.

The active source is indicated by an arrow (➔) to its left; in this example, Composite is the active source.

◀ **Input Source**

Input Source	
➔ Composite 1	
Composite 2	
Composite 3	
Component	
HD 1	
HD 2	
SCART	
HDMI 1	
HDMI 2	
HDMI 3	
HDMI 4	

To change the aspect ratio (size and shape) of the projected image, select Aspect Ratio from the Main Menu and press **ENTER**. Select the appropriate aspect ratio for your screen size and the type of program material being viewed; refer to Table 4-1.

The currently-selected aspect ratio is indicated by a “☒” to its left; in this example, 16:9 is selected.

◀ **Aspect Ratio**

Aspect Ratio	
☒ 16:9	
<input type="checkbox"/> 4:3	
<input type="checkbox"/> Letterbox	
<input type="checkbox"/> VirtualWide	
<input type="checkbox"/> Cinema	
<input type="checkbox"/> Virtual Cinema	
<input type="checkbox"/> Native	

Note that some aspect ratios are unavailable and/or not useful with certain types of source material. The optimal setting depends on a number of factors, such as:

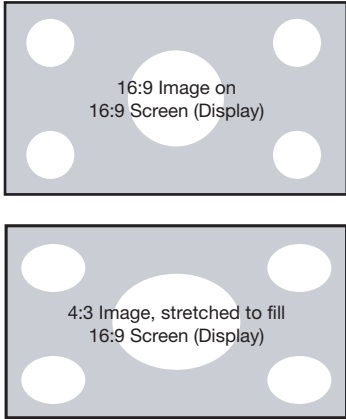
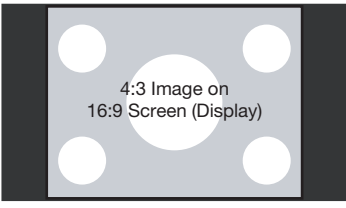
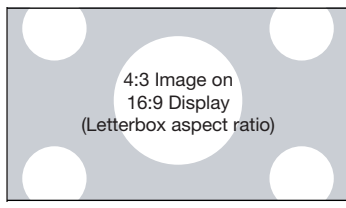
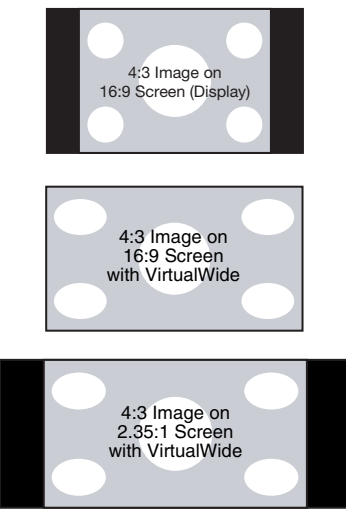
- The aspect ratio of the source material, as broadcast or encoded on the playback medium.
- The “display type” (16:9 or 4:3) and output resolution settings at the source component. Most modern DVD/BD players and set-top boxes have such controls.
- Viewer preference (original aspect ratio with “black bars,” or a full-screen presentation with some distortion or cropping).



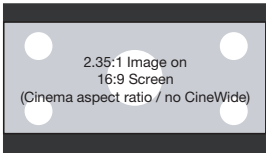
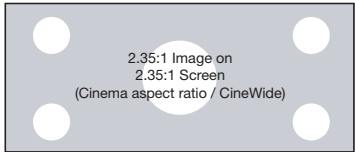
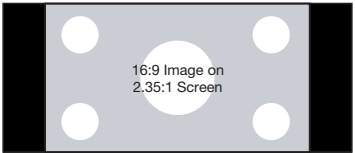
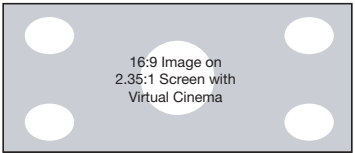
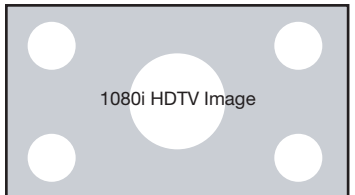
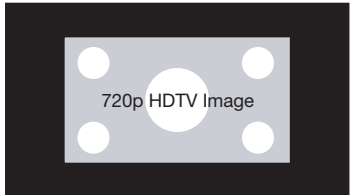
**Note**

*The aspect ratio selection is automatically saved for each input and resolution.*

**Table 4-1. Aspect Ratio Settings**

Aspect Ratio	Remote Control Key	Description	
16:9	16:9	 <p>16:9 Image on 16:9 Screen (Display)</p> <p>4:3 Image, stretched to fill 16:9 Screen (Display)</p>	<p>Select 16:9 to view 16:9 DVDs and HDTV programs in their native aspect ratio.</p> <p>4:3 images are stretched horizontally to fit a 16:9 screen.</p>
4:3	4:3	 <p>4:3 Image on 16:9 Screen (Display)</p>	<p>Standard 4:3 scales the input signal to fit in the center of the 16:9 screen. 4:3 is the aspect ratio used by computer monitors, standard television programming and most VHS video cassettes.</p>
Letterbox	LET BOX	 <p>4:3 Image on 16:9 Display (Letterbox aspect ratio)</p>	<p>Letterbox mode scales (zooms in on) a 4:3 image linearly (by the same amount on all sides) to fill a 16:9 display. Letterbox is best suited for viewing LaserDisc movies or non-anamorphic DVDs on a 16:9 screen.</p>
VirtualWide	V-WIDE	 <p>4:3 Image on 16:9 Screen (Display)</p> <p>4:3 Image on 16:9 Screen with VirtualWide</p> <p>4:3 Image on 2.35:1 Screen with VirtualWide</p>	<p>VirtualWide scales a 4:3 image NON-linearly (more on the sides than in the center) to fit a 16:9 screen.</p> <p>On a 2.35:1 screen, the image is centered between black bars on either side.</p>

**Table 4-1. Aspect Ratio Settings (continued)**

Aspect Ratio	Remote Control Key	Description	
Cinema	CINEMA	 <p>2.35:1 Image on 16:9 Screen (Cinema aspect ratio / no CineWide)</p>  <p>2.35:1 Image on 2.35:1 Screen (Cinema aspect ratio / CineWide)</p>	<p>Select Cinema to view 2.35 source material in its native aspect ratio.</p> <p>With a 16:9 screen and a standard LS-10d (without an anamorphic lens), the upper and lower portions of the screen are masked, but the geometry of the active image area is unchanged.</p> <p>With a 2.35:1 screen and an anamorphic lens, the DHD Controller scales the 2.35:1 image so that the active image area fills the 16:9 chip surface, eliminating the black bars. The secondary, anamorphic lens then restores the proper geometry to the 2.35:1 image.</p>
Virtual Cinema	V-CINE	 <p>16:9 Image on 2.35:1 Screen</p>  <p>16:9 Image on 2.35:1 Screen with Virtual Cinema</p>	<p>A 16:9 image is scaled NON-linearly (more on the sides than in the center) to fit a 2.35:1 screen.</p>
Native	NATIVE	 <p>1080i HDTV Image</p>  <p>720p HDTV Image</p>	<p>Select Native to display the source signal in its native resolution, centered in the display area with no re-sizing or overscan.</p> <p>This means, for example, that 720p HDTV programs will display with unused pixels on all sides: 320 on the left and right sides and 180 above and below.</p> <p>With SDTV and EDTV sources, the DHD Controller scales the image horizontally to achieve a 16:9 aspect ratio.</p>

**Picture** ➤

Picture
Brightness
Contrast
Color
Tint
Sharpness
Noise Filter

Use the controls in the Picture Menu to calibrate each DHD Controller input to achieve optimum picture quality.

The DHD Controller has been designed to incorporate setup and calibration standards established by the Imaging Science Foundation (ISF). The ISF has developed carefully crafted, industry-recognized standards for optimal video performance and has implemented a training program for technicians and installers to use these standards to obtain optimal picture quality from Runco video display devices. Accordingly, Runco recommends that setup and calibration be performed by an ISF certified installation technician.

All signal types require separate processing. Therefore, you need to calibrate each DHD Controller input separately.



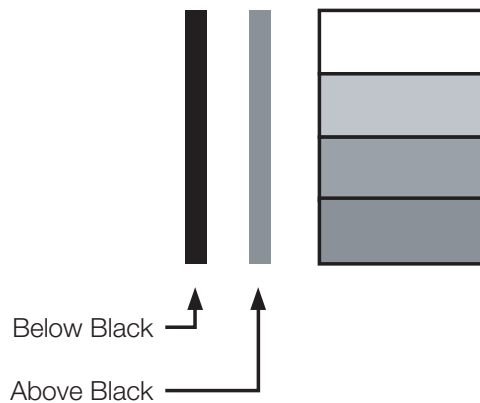
**Note**

1. When you change a picture quality setting, save the change to a preset afterwards. Otherwise, the change will be lost when a different input is selected. (Picture quality settings are saved for each input separately.) For information about saving settings, refer to **Memory Presets** on page 56.
2. For best results, Runco recommends that you set *ConstantContrast* to Off before adjusting *Brightness*, *Contrast* and other image quality settings in this menu (refer to **ConstantContrast** on page 60). After you have completed the initial calibration, set *ConstantContrast* to On if desired.

Although it may be possible to obtain satisfactory picture quality using the naked eye and regular program material, Runco recommends using an external test pattern source (Ovation Multimedia, Digital Video Essentials or AVIA test DVD or equivalent) for best results.

Connect your test pattern source to the input that you are calibrating and proceed as follows. **Perform the adjustments in the order listed here.**

**Brightness:** On your external test pattern source, select a PLUGE pattern. (PLUGE is an acronym for “Picture Line-Up Generation Equipment.”) Figure 4-2 shows a typical PLUGE pattern.



**Figure 4-2. Typical PLUGE Pattern for Adjusting Brightness**

PLUGE patterns vary but generally consist of some combination of black, white and gray areas against a black background. The example above includes two vertical bars and four shaded boxes.

Select Brightness from the Picture menu and press **ENTER**. Adjust the brightness so that:

- The darkest black bars disappear into the background.
- The dark gray areas are barely visible.
- The lighter gray areas are clearly visible.
- The white areas are a comfortable level of true white.
- The image contains only black, gray and white (no color).

**Contrast:** On your external test pattern source, select a stepped, gray-bar pattern like the one shown in Figure 4-3.



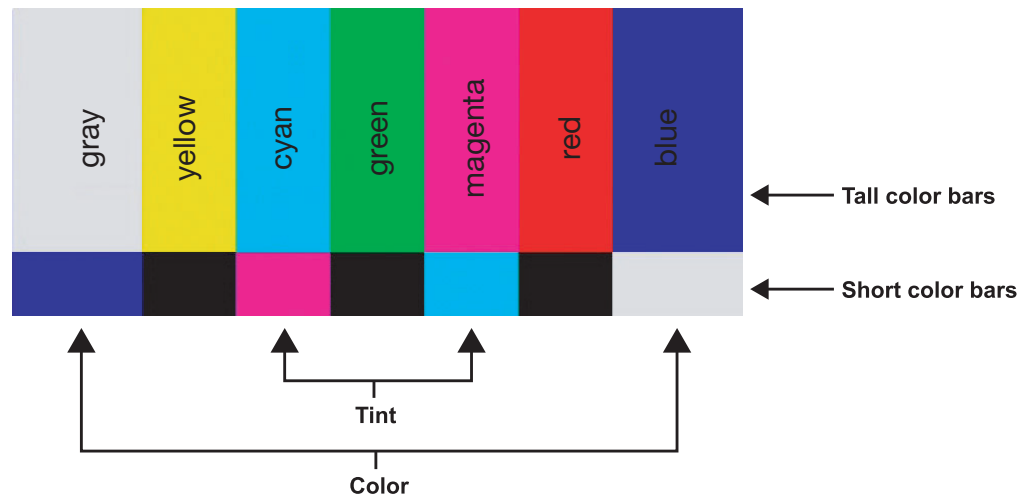
**Figure 4-3. Typical Gray Bar Pattern for Adjusting Contrast**

Select Contrast and press **ENTER**. Adjust the contrast to a point just below which the white rectangle starts to increase in size.



*Brightness and contrast controls are interactive. A change to one may require a subtle change to the other in order to achieve the optimum setting.*

**Color Saturation:** On your external test pattern source, select a color bar pattern like the one shown in Figure 4-4.

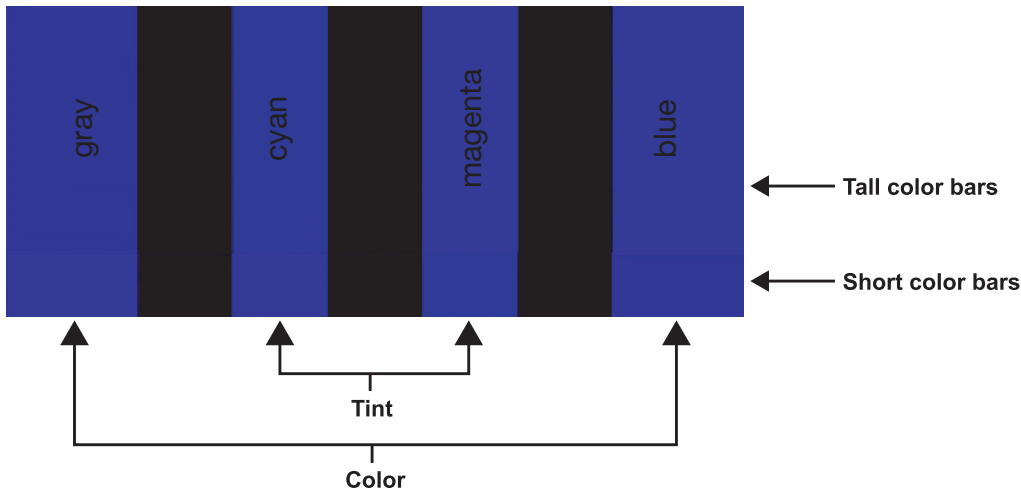


**Figure 4-4. Typical Color Bar Pattern for Adjusting Color Saturation and Tint**

1. Press the **MENU** button on the remote control or DHD Controller front panel.
2. Select Service from the Main Menu and press **ENTER**.
3. Enter the Service menu passcode.
4. Select Display Device from the Service menu and press **ENTER**.
5. Press **ENTER** again to select Configure.
6. Select Diagnostics and press **ENTER**.
7. Select Blue from the Diagnostics menu, then press **ENTER** to display only the blue color channel.
8. Press **EXIT** (or **MENU**) repeatedly to return to the Main Menu.
9. Select Picture from the Main Menu and press **ENTER**.
10. Select Color from the Picture menu and press **ENTER**.



11. Adjust the color saturation level until the outermost (gray and blue) color bars appear to be a single shade of blue:



**Tint:** Tint or “hue” is essentially the ratio of red to green in the color portion of the image. When tint is decreased, the image appears redder; when it is increased the image appears greener.

To adjust the tint, enable “blue only” display mode in the Diagnostics menu, as you would for adjusting color saturation (refer to the previous section, **Color Saturation**).

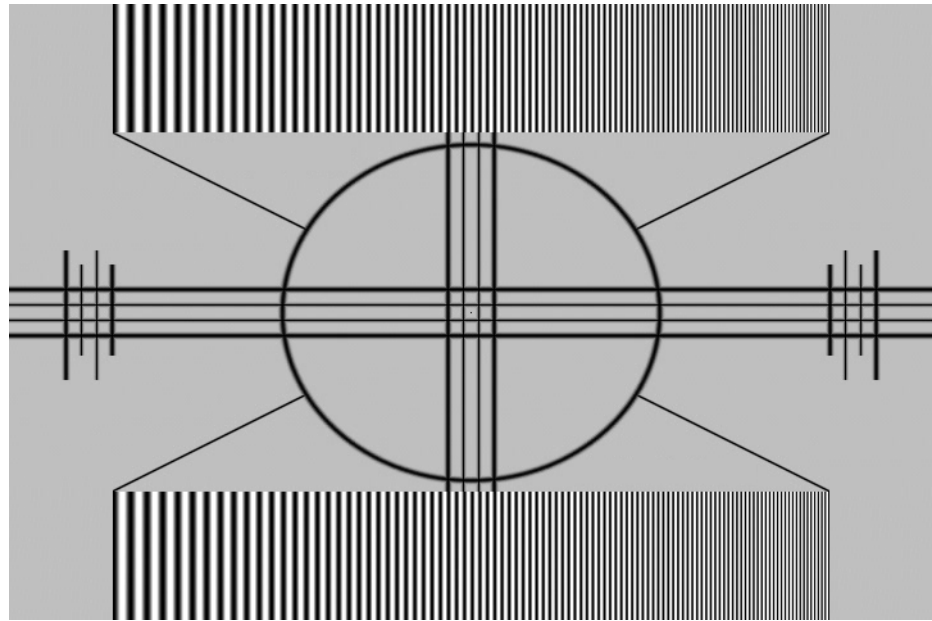
Select Tint from the Picture menu and press **ENTER**. Adjust the tint level until the cyan and magenta color bars (on either side of the green bar) appear to be a single shade of blue.



**Note**

*Like the brightness and contrast controls, the color and tint controls are interactive. A change to one may require a subtle change to the other in order to achieve the optimum setting.*

**Sharpness:** “Sharpness” is the amount of high-frequency detail in the image. To adjust sharpness, select Sharpness from the Picture menu and press **ENTER**. On your external test pattern source, select a pattern like the one shown in Figure 4-5. Adjust as needed, looking for white edges around the transitions from black to gray and differently-sized lines in the “sweep” patterns at the top and bottom. Lower the sharpness setting to eliminate them.



**Figure 4-5. Typical Test Pattern for Adjusting Sharpness**

**Noise Filter:** To apply noise filtering to the input signal, select Noise Filter from the Picture menu. The Noise Filter is useful for clearing up noisy images from 480i video sources.

Use the left- or right-arrow buttons to select the desired amount of noise reduction, keeping in mind that higher settings (which reduce high frequencies) may also “soften” the image.

**Input Position** ➤

Use the controls in the Input Position Menu to fine-tune the aspect ratio and image position for the current source.

Input Position
Left/Right
Up/Down
Width
Height
Overscan
Overscan Mode
Phase
Tracking



**Note**

*The input position settings are automatically saved for each input and resolution.*

**Left/Right:** Select Left/Right from the Input Position menu to shift the projected image horizontally. Press ➤ to shift the image to the right; press ◀ to shift it to the left.

**Up/Down:** Select Up/Down from the Input Position menu to shift the projected image vertically. Press ➤ to shift the image upward; press ◀ to shift it downward.

**Width:** Select Width from the Input Position menu to change the projected image width. Press ➤ to increase the width; press ◀ to decrease it.

**Height:** Select Height from the Input Position menu to change the projected image height. Press ► to increase the height; press ◀ to decrease it.

**Overscan/Overscan Mode:** Overscan pushes the outside edge of the active picture area of the video signal out beyond the edge of the display area.

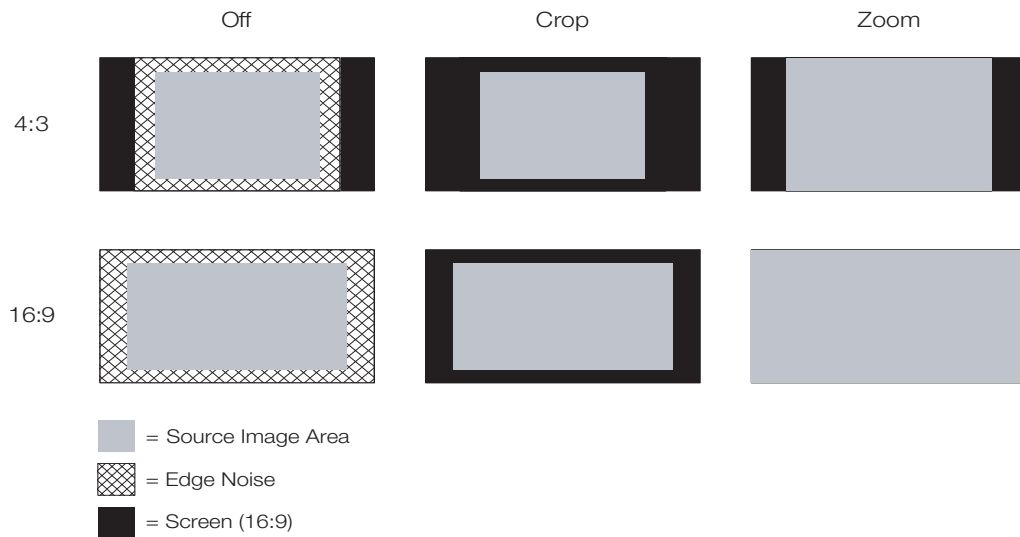
Some television programs are produced based on the assumption that older television sets may not display the outer edges of the broadcast picture area. Overscan effectively trims away these inactive, outer edges and enlarges the remaining portion of the image to fill the display area.

For HDTV, DVDs and other video sources, Overscan is generally not necessary or desirable.

This control defines the amount of overscan applied to the image. The range is from 0 to 20. There are two overscan modes:

- In **Crop** mode, each increment adds a mask at the top, bottom, left and right edges of the source image equal to 0.5% of the displayed horizontal resolution (1% total). A setting of 10, for example, crops the image 5% on all sides or 10% total.
- In **Zoom** mode, each increment adds a factor to the scaling of the source image so that the vertical and horizontal resolutions are 100% plus 1% increments of the size determined by the aspect ratio function. A setting of 10, for example, zooms in on the image 5% on all sides or 10% total.

Figure 4-6 illustrates the effect of each overscan mode setting.



**Figure 4-6. Overscan Modes**

**Phase (RGB, Component or SCART sources):** This control adjusts the phase of the pixel sampling clock relative to the incoming signal. Adjust the phase when an RGB, Component or SCART image still shows shimmer or “noise” after Tracking has been optimized.



*Adjust the Phase after adjusting Tracking (see below).*

For best results, use a good test pattern such as a smooth gray consisting of a clear pattern of black and white pixels, or a similar “half on, half off” graphic image. Adjust the slider until the image stabilizes and each pixel is clearly defined. You may notice that you can stabilize the image at more than one point. Use either setting in such cases.

**Tracking (RGB, Component or SCART sources):** Tracking determines the frequency of the pixel sampling clock, indicated by the number of incoming pixels per line, so that all pixels generated by a particular source are sampled.

Steady flickering or several soft vertical stripes or bands across the entire image indicates poor pixel tracking. Proper pixel tracking helps ensure that the image quality is consistent across the screen, that aspect ratio is maintained and that pixel phase (see above) can be optimized.

**Memory Presets** ➤

Memory Presets		
➔	ISF Night	
	ISF Day	
	Custom 1	Save    Reset
	Custom 2	Save    Reset

For each input, the DHD Controller lets you save image quality settings as presets that you can recall at a later time. You can create up to four presets per input and display mode (resolution and frame rate).

The DHD Controller stores the following display modes in each memory preset:

- 480i
- 480p
- 576i
- 576p
- 720p/24 Hz
- 720p/25 Hz
- 720p/30 Hz
- 720p/50 Hz
- 720p/60 Hz
- 1080i/50 Hz
- 1080i/50 Hz (Australia)
- 1080i/60 Hz
- 1080p/24 Hz
- 1080p/25 Hz
- 1080p/30 Hz
- 1080p/50 Hz
- 1080p/60 Hz

Use the Memory Presets menu to recall saved image presets, or to save image settings in the “Custom 1” or “Custom 2” memory location. The currently-selected preset is indicated by a “➔” to its left; in the example shown here, ISF Night is selected.

You should save changes to any of the following settings to a preset; otherwise they will be lost when a new input source or resolution is selected:

- Brightness
- Contrast
- Color saturation
- Tint
- Sharpness
- Gamma
- Lamp Settings
- Color temperature and white balance

To select a memory preset, press ▲ or ▼ to highlight it and press **ENTER**.

To save the settings for the current input and display mode to the Custom 1 or Custom 2 memory preset, select it, press ◀ or ▶ to highlight Save and press **ENTER**.



**Note**

*To save the settings for the current input and display mode to the ISF Night or ISF Day memory preset, select Save ISF Night or Save ISF Day from the Calibration menu (refer to **Save ISF Night/Save ISF Day** on page 63).*

To reset the Custom 1 or Custom 2 memory preset to its factory-default state, select it, press ◀ or ▶ to highlight Reset and press **ENTER**.

Select Sleep Timer from the Main Menu to turn off the LS-10d after a specified interval. Press ▲ or ▼ to select Off, 30 Minutes, 60 Minutes, 90 Minutes, 2 Hours or 4 Hours. Then, press **ENTER**.

◀ **Sleep Timer**

Sleep Timer	
→	Off
	30 Minutes
	60 Minutes
	90 Minutes
	2 Hours
	4 Hours

**Information** ➤

Information	
Signal	
System	
Network	
Field Service	
Manufacturing	

**Signal / System:** Select Information from the Main Menu, then choose either Signal or System to display information about the current input signal (resolution, frequency, type et cetera) and installed firmware versions, as well as other information that uniquely identifies your DHD Controller and display device.

Should you ever need to contact Runco Technical Support, this information will help them answer your questions or resolve product performance issues.

Signal	
Input Source	HDMI 1
Signal Format	1080p/60
Input Resolution	1920x1080
Vertical Freq	59.94 Hz
Horizontal Freq	67.500 kHz
Pixel Clock	148.500 MHz
Color Space	REC709
Sync Type	Separate
Memory Preset	ISF Night

System	
Model	DHD4
Display Name	LS-10d
Output Resolution	1920x1080
Serial Number	00000000
Boot Version	4.0
Firmware Version	4.0
Micro Version	4.0

Network	
MAC Address	1A:2B:3C:4D:5E:6F
IP Address	192.168.0.150
Subnet Mask	255.255.0.0
Default Gateway	192.168.1.1
DHCP	Enabled
Network Status	Connected

**Network:** Select Information from the Main Menu, then choose Network to display information about the Ethernet network connection.

To enable network communication via Ethernet, refer to **IP Configuration** on page 66.

**Field Service / Manufacturing:** The Field Service and Manufacturing menus are password-protected and intended for use only by Runco service personnel and factory technicians.

**Calibration** ➤

Calibration	
<b>ISF Settings</b>	
Display Color	
Input Image	
Input Color	
Save ISF Night	
Save ISF Day	
Copy/Paste	
Output Shift	
Image Alignment	
Splash Configure	
OSD Position	

Use the Calibration menu to perform advanced picture quality adjustments. **This menu should be used by ISF-certified technicians only.**



**Note**

*You must enter a passcode to access the Calibration menu.*

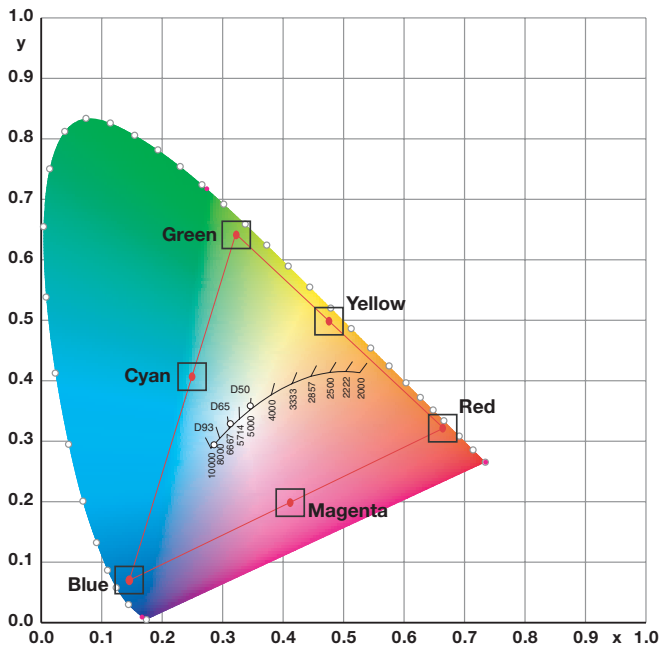
To recall the ISF Night or ISF Day settings, select “ISF Night” or “ISF Day” from the Memory Presets menu (see page 56) or use the corresponding remote control buttons.

**Display Color:** Use the Display Color settings to adjust the color balance at the DHD Controller output. These settings are saved independently for each input and display mode.

- **Gain:** Use the Gain controls to correct color imbalances in the bright areas of the image. A good way to do this is to use a test pattern consisting mostly of solid white areas, such as an 80 IRE “window” pattern. If the white areas contain traces of red (Pr), green (Y) or blue (Pr), decrease the Gain for that color.
- **Offset:** Use the Offset controls to correct color imbalances in the dark areas of the image. A good way to do this is to use a test pattern consisting mostly of dark gray areas, such as a 30 IRE “window” pattern. If the gray areas contain traces of red (Pr), green (Y) or blue (Pr), decrease the Offset for that color.

- **Gamma:** Select Gamma from the Display Color menu to choose a de-gamma curve. Used correctly, the Gamma control can improve contrast while maintaining good details for blacks and whites. If excess ambient light washes out the image and it becomes difficult or impossible to see details in dark areas, lower the gamma setting to compensate. This improves contrast while maintaining good details for blacks. Conversely, if the image is washed out and unnatural, with excessive detail in black areas, increase the setting.
- **Lamp:** Select Lamp from the Display Color menu to adjust the projector lamp brightness.
  - **Power (230W or 260W):** To supply a constant wattage to the lamp, select Power (230W or 260W) from the Lamp menu to set the lamp power level. You can choose to run the lamp as bright as possible (260 watts; this is the default setting) or you can choose a lower setting (230 watts). Generally, lower lamp output prolongs the life of the lamp, but decreases brightness.
- **Color Temp:** Select Color Temp from the Display Color menu to adjust the color temperature. Color temperature establishes the “color of gray” by adjusting the 75% white point to various color points.

**What are “color points?”** A “color point” is an x/y coordinate pair that defines a color’s location on the standard CIE chromaticity graph, shown in Figure 4-7. (CIE stands for “Commission Internationale de l’Éclairage” (International Commission on Illumination), the organization responsible for color measurement and management standards.)



**Figure 4-7. CIE 1931 Chromaticity Diagram**

- **Simple:** Select Simple mode from the Color Temp menu (with the LS-10d, this is the only choice) to choose one of four color temperature presets: 5500K, 6500K, 7500K and 9300K. The default setting, 6500K, is appropriate for most situations. Higher settings produce a “bluer” picture; lower ones impart a reddish hue to the image.

Table 4-2 lists the x- and y-coordinates for each color temperature preset.

**Table 4-2. Color Temperature Presets and Associated Color Points**

Color Temperature Preset	Associated x/y Values	
	x	y
5500K	0.332	0.348
6500K	0.313	0.329
7500K	0.299	0.315
9300K	0.284	0.298

- **ConstantContrast:** Select ConstantContrast from the Display Color menu to enable (**On**) or disable (**Off**) ConstantContrast in the optical engine. ConstantContrast uses a dynamic iris that modulates light to the DMD based on the actual content of the video material. Runco recommends that you disable ConstantContrast before adjusting Brightness, Contrast or other image settings.
- **Color Gamut:** Select Color Gamut from the Display Color menu to select a color gamut (range) that may be different from the default color gamut.

Each setting defines the precise hue of each primary (red, green and blue) and secondary (yellow, cyan and magenta) color component used to generate the millions of colors produced in displays. Changing this setting relocates the “triangle” for possible colors (see Figure 4-7). For example, changing the x/y coordinates for red moves the color closer to either orange or violet, which in turn affects all displayed colors having a red component.



**Note**

*The DHD Controller uses the Color Gamut settings for all display modes on a given input.*

- **Auto** automatically chooses the appropriate color gamut:
  - **SMPTE C** for NTSC, 480i and 480p sources.
  - **EBU** for PAL, SECAM, 576i and 576p sources.
  - **REC709** for all other sources.
- Select **REC709** to use the color gamut defined in ITU-R BT.709-5.
- Select **SMPTE-C** to use the color gamut defined in SMPTE 170M-1999.
- Select **EBU** to use the color gamut defined in EBU Tech. 3213-E.
- Select **Native** to use REC709 for cyan, magenta, and yellow and uncorrected values for red, green, and blue.
- Select **PCE** to use the Personal Color Equalizer feature of the LS-10d. PCE lets you define a custom color gamut. Refer to the next section, **PCE**, for instructions on how to do this.



Table 4-3 lists the Color Gamut settings and associated x- and y-coordinates for each primary and secondary color component.

**Table 4-3. x/y Color Gamut Values**

Primary Color	Color Gamut Settings and Associated x/y Values					
	REC709		SMPTE "C"		EBU	
	x	y	x	y	x	y
Red	0.640	0.330	0.635	0.340	0.640	0.330
Yellow	0.419	0.505	0.421	0.506	0.418	0.502
Green	0.300	0.600	0.305	0.595	0.290	0.600
Cyan	0.225	0.329	0.228	0.326	0.220	0.329
Blue	0.150	0.060	0.155	0.070	0.150	0.060
Magenta	0.321	0.154	0.318	0.162	0.328	0.158

- **PCE:** To use the Personal Color Equalizer to define a custom color gamut, choose the "PCE" Color Gamut setting (refer to **Color Gamut** on page 60). Then, choose PCE from the Display Color menu and press **ENTER**.

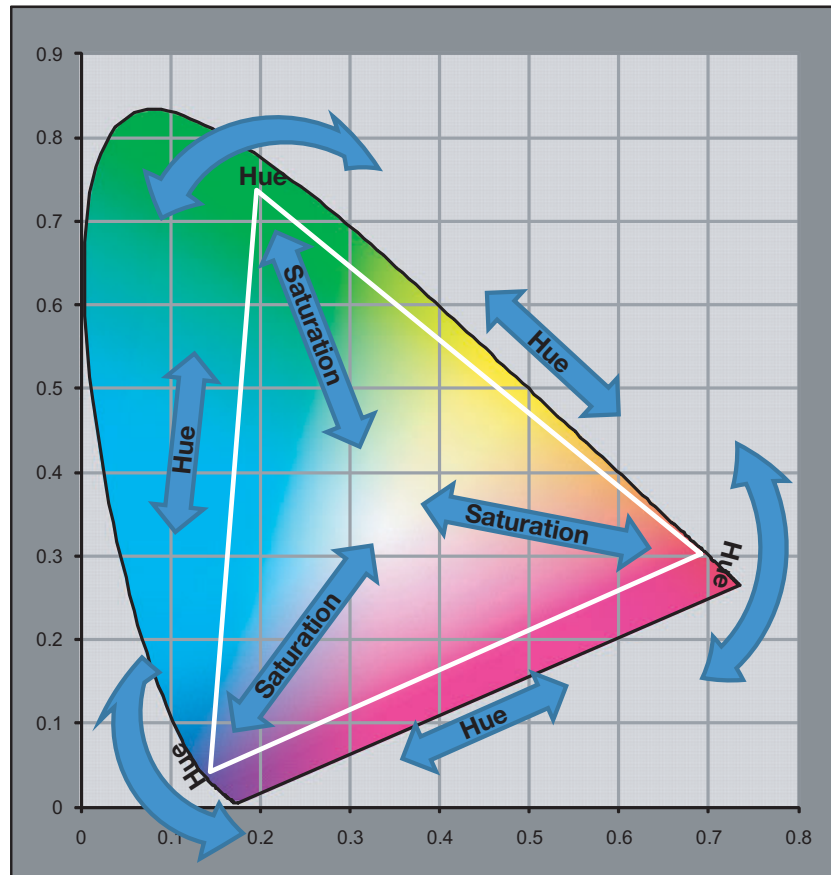


**Note**

*The DHD Controller uses the PCE settings for all display modes on a given input.*

- **Hue/Saturation/Level:** PCE provides the ability to define a custom color gamut in terms of primary (red, green and blue) and secondary (yellow, cyan and magenta) color hues, saturation and level (brightness).

Each control operates only on the color specified. Surrounding colors are linearly interpolated based on their distance from each of these colors. In the CIE 1931 Yxy coordinate system (see Figure 4-8), Hue rotates the color coordinates around the white point, Saturation adjusts the coordinate's distance from white and Level adjusts the luminance (Y) of the color relative to white.



**Figure 4-8. Effect of PCE Hue and Saturation Controls**

- **White Balance:** To precisely adjust the white point associated with the custom color gamut, choose White Balance from the PCE sub-menu. These controls operate identically to the Gain controls in the Display Color menu (described on page 58).

**Input Image:** The Input Image controls are functionally similar to those in the Picture menu (refer to page 50), but are accessible only by entering the Calibration menu passcode.



**Note**

*The Input Image settings establish the “zero point” for the Picture menu settings, whose values represent offsets from the Input Image settings. For example, if you set Brightness to 10 in this menu, setting Brightness to 10 in the Picture menu results in an actual setting value of 20 (10+10).*

**Input Color:** The Input Color controls are similar to those in the Display Color menu (see above), but adjust the color balance of the incoming signal. These settings are also saved independently for each input and display mode.

- **Gain/Offset (HD1, HD2 and Component/SCART inputs only):** These controls operate similarly to those in the **Display Color** menu (described on page 58), but affect the Y, Pb and Pr signal components rather than the red, green and blue channels.
- **Chroma Delay:** use the Chroma Delay control to correct a mis-aligned image from a composite video source. Chroma delay in an image causes color shifts to occur to the left of the vertical edge transitions, producing artificial shadows or a “halo” effect. If necessary, adjust this setting to eliminate them.
- **Noise Filter:** To apply noise filtering to the input signal, select Noise Filter from the Input Color menu. The Noise Filter is useful for clearing up noisy images from 480i video sources.

Use the left- or right-arrow buttons to select the desired amount of noise reduction, keeping in mind that higher settings (which reduce high frequencies) may also “soften” the image.

**Save ISF Night/Save ISF Day:** Whenever you make a change to the ISF settings, you should always save it. Select Save ISF Night or Save ISF Day from the Calibration menu to do this.

**Copy/Paste:** You can copy and paste settings from one memory location to another. This gives you a convenient starting point for creating a new preset based on an existing one, to make the calibration process less time-consuming.

For example, you can use the Copy/Paste feature to:

- Apply settings from HDMI 1 to HDMI 2, or from HD1 to HD2.
- Calibrate an input for 720p source signals, then use those settings for 1080i sources.
- Duplicate ISF Night settings for a given source and signal format and save them in the Custom 1 memory preset.

To use this feature, select Copy/Paste from the Calibration menu.

- **Copy Settings:** Select Copy Settings from the Copy/Paste menu to place the settings for the current input source, signal format (resolution and frame rate) and memory preset onto a “clipboard,” which is a temporary memory location. When you do, the message “Settings Copied” briefly appears on-screen. The Copy/Paste menu then re-appears, indicating the source of the copied settings.

Copy/Paste	
Copy Settings	
Paste Settings	
Copied From:	
Input Source	HDMI 1
Signal Format	1080p/60
Memory Preset	ISF Night



**Note**

*Copied settings are not retained after a power cycle.*

- **Paste Settings:** To apply the settings on the clipboard to a different input source, signal format and/or memory preset, do **any or all** of the following:
  - Switch to another DHD Controller input (for example, from HD1 to HD2).
  - Change the output signal format at the source (for example, from 720p/60 to 1080i/60).
  - Switch to another Memory Preset (for example, from ISF Night to Custom 1).

Then, select Paste Settings from the Copy/Paste menu. **If you want to keep these new settings, you must save them!** (Refer to **Save ISF Night/Save ISF Day** on page 63 or **Memory Presets** on page 56.)

**Output Shift:** The controls in the Output Shift menu are similar to those in the Input Position menu, except that they change the characteristics of the output signal. These settings are saved independently **for each aspect ratio**.

**Image Alignment:** Use the controls in the Image Alignment menu to ensure proper image geometry; that is, a perfectly rectangular projected image with no keystoneing or pincushion. For detailed instructions, refer to **Adjusting the Image Geometry** on page 41.

**Splash Configure:** Use the Splash Configure menu to control the appearance and behavior of the “splash” screen that appears on the display upon power-up.

- **Owner Name/ISF Calibrated/ISF Other:** You can have the LS-10d display the owner’s name, your name, the phrase “ISF Calibrated” and/or any other string, up to 30 characters in length.

Use the up or down cursor button to select a character. Use the right and left cursor buttons to change the cursor position. Press **MENU** when you have finished entering text.

- **Splash Timer:** When you turn on the LS-10d, it projects a welcome screen with the Runco and ISF logos, along with the personalized information you enter as described above. Select Splash Timer from the Splash Configure menu to set the amount of time for which this screen appears. The range is from 5 to 60 seconds, in one-second increments. Press ◀ or ▶ to set the timer, then press **MENU**.
- **Splash Enable:** When you have finished customizing the splash screen, select Splash Enable from the Splash Configure menu. Then, select On and press **ENTER**.

**OSD Position:** To adjust the position of the OSD, select OSD Position from the Calibration menu and press **ENTER**.

Press ▲ or ▼ to select “Hor.” or “Ver.” Then, press ◀ or ▶ to change the position.

**Service** ➤

Use the Service menu to access advanced projector configuration settings. **This menu should be used by ISF-certified technicians only.**

Service
Test Video
Input Names
Display Device
Network
Color Space
Triggers
Miscellaneous
Sync Threshold
HDMI
Front Panel Brightness
System Reset



**Note**

*You must enter a passcode to access the Service menu.*

**Test Video:** Select Test Video from the Service Menu to access the internal test patterns on the DHD Controller. Four patterns are available: Horizontal Ramp, Vertical Ramp, Color Bars 1 (solid bars) and Color Bars 2 (SMPTE “checkerboard” pattern).

Press **MENU** to exit test pattern mode.

**Input Names:** You can give each DHD Controller input a descriptive name. For example, you may want to change the default input name to the type of source component connected to it: “VCR,” “DVD,” “Laptop” et cetera. Input names can be up to 12 characters long.

To edit an input name, select Input Names from the Service menu. Press ▲ or ▼ to select an input and press **ENTER**. Use the ▲ or ▼ buttons to change a character; press ◀ or ▶ to select a character to change. When you have finished editing the input name, press **ENTER** or **MENU**.

To restore the default input name, press ▼ repeatedly to highlight that input name in the “Restore” column. Then, press **ENTER**.

Input Names	
	Restore
Composite 1	Composite 1
Composite 2	Composite 2
Composite 3	Composite 3
Component	Component
HD 1	HD 1
HD 2	HD 2
SCART	SCART
HDMI 1	HDMI 1
HDMI 2	HDMI 2
HDMI 3	HDMI 3
HDMI 4	HDMI 4

**Display Device - Configure:** The options in the Display Device - Configure menu allow you to change the picture orientation, perform lens adjustments or access other, display-device specific functions.

- **Installation – Orientation:** Select Installation from the Display Device - Configure menu, then select Orientation to change the picture orientation to suit the method of installation (Floor Front, Floor Rear, Ceiling Front or Ceiling Rear). Or, for front-projection installations, use the **Auto** setting to have the projector automatically determine the orientation (floor or ceiling) using an internal sensor.
- **Lens:** Select Lens from the Display Device - Configure menu to access the motorized lens controls. Refer to **Primary Lens Adjustments** on page 40.
- **Lamp Info.:** Select Lamp Info. from the Display Device - Configure menu to obtain information about the currently-installed lamp: its serial number and number of hours in use.
- **Lamp Hours Reset:** When you replace the projector lamp (refer to **Lamp Replacement** on page 73), you should also reset the lamp hour counter to zero so that the lamp usage information in the Lamp Info. window is accurate. To do this, select Lamp Hours Reset from the Display Device - Configure menu. A confirmation dialog box appears. Select “Yes” to continue with the reset or “No” to cancel the operation.
- **Diagnostics:** Select Diagnostics from the Display Device - Configure menu, then select Red, Green, Blue, Yellow, Cyan or Magenta to display only that color channel (simulating a filter of that color). This can be useful for calibration or measurement purposes.

To restore the normal picture (all colors), select White.

- **Altitude:** Select Altitude from the Display Device - Configure menu to control the operation of the projector’s cooling fan.

In most cases, the default setting (**Auto**) will maintain the correct operating temperature. If the lamp frequently turns off due to overheating, or in certain high-altitude operating environments, you may need to change this setting to **High**.

**Network:** The options in the Network menu allow you to configure the network communication features.

- **IP Configuration:** Select IP Configuration from the Network menu to either set the IP address, subnet mask and default gateway of the DHD Controller manually or obtain these settings automatically, from a DHCP (Dynamic Host Configuration Protocol) server. (Most broadband routers and gateways support DHCP.) You can also test the network connection from this menu.
- **DHCP:** To enable the DHCP client in the DHD Controller, select DHCP from the IP Configuration menu and set it to **On**. With this setting, the DHD Controller's IP address, subnet mask and default gateway are assigned by the local DHCP server.

To manually configure these values, set DHCP to **Off**.



**Note**

*The IP Address, Subnet Mask and Default Gateway items in the IP Configuration menu are disabled (grayed out) when DHCP is enabled.*

- **IP Address:** Select IP Address from the IP Configuration menu to manually configure the IP Address of the DHD Controller, as follows:
  1. Press ▲ or ▼ to select the first, second, third or fourth byte of the address.
  2. Press ► or ◀ to set the value of that byte. The range is from 0 to 255 inclusive.
  3. Repeat Steps 1 and 2 for all four bytes of the address.
  4. Press **MENU** when you have finished setting the address.
- **Subnet Mask:** Select Subnet Mask from the IP Configuration menu to manually configure the IP subnet mask. The procedure is similar to that for setting the IP address.
- **Default Gateway:** Select Default Gateway from the IP Configuration menu to manually configure the default IP gateway. The procedure is similar to that for setting the IP address.
- **Communication Test:** Select Communication Test from the IP Configuration menu to verify proper operation of the network communication link.

To start the test, select Start Test from the Communication Test menu. The DHD Controller displays the message "Performing Communication Test." When the test completes, the DHD Controller displays either "Failed" (along with the error that occurred) or "Succeeded."

- **Auto Firmware Upgrade:** Select Auto Firmware Upgrade from the Network menu to enable automatic detection of a newer version of the DHD Controller firmware. If one is found, you can configure the DHD Controller to install it automatically. These features make it easier to keep your DHD Controller firmware up-to-date.
- **Auto Check For New Firmware:** To have the DHD Controller automatically check for firmware updates at periodic intervals, select Auto Check for New Firmware from the Auto Firmware Upgrade menu and set it to **On**. If you prefer to do this manually, set it to **Off** and use the Check For New Firmware sub-menu (described below).
- **Auto Perform Upgrade:** If the "Auto Check For New Firmware" process determines that a newer firmware version than the one currently installed is available, you can have the DHD Controller automatically download and install it. To do this, select Auto Perform Upgrade from the Auto Firmware Upgrade menu and set it to **On**. The upgrade will occur the next time the DHD Controller is "power-cycled" (powered off, then on again).

If you prefer to do this manually, set it to **Off**. The DHD Controller will ask if you want to perform the upgrade the next time it is power-cycled.

- **Check For New Firmware:** To have the DHD Controller check for new firmware on demand (and perform an upgrade if it finds a new version), select Check For New Firmware from the Auto Firmware Upgrade menu. If the DHD Controller finds a new firmware version, select **Yes** to perform the upgrade or **No** to return to the previous menu.
- **E-Mail Notification:** Select E-Mail Notification from the Network menu to specify when and to whom the DHD Controller sends error and service notification messages via e-mail.

The notification messages are in the following format:

```
To: [E-Mail Address; see below]
From: do-not-reply@runco.com
Subject: [Type of notification] from Runco DHD4
Body:
```

This is an automated message sent from the Runco DHD4:

```
Notification: [One of the following:
               "DHD Error" / "Display Error"
               "Periodic Service Notification"
               "Lamp Life Notification" / "Calibration Data"]
```

```
Detailed Description: [ If a DHD Error, one of the following:
                       "Fan Failure 1" / "Fan Failure 2"
                       "Overtemp 1" / "Overtemp 2"
                       "Initialization Failure"
```

```
If a Display Error, a device-specific
error message such as "Lamp Door Open"
```

```
If a Periodic Service Notification, the elapsed
time since the last notification
```

```
If a Lamp Life Notification, the number of hours
the lamp has been in service
```

```
If a Calibration Data message,
"See Attached File" ]
```

```
Serial Number: [DHD Controller serial number]
Customer Information: [From "Customer Information" sub-menu;
                     see below]
```

Best Regards,

Runco International, LLC  
 1195 NW Compton Drive  
 Beaverton, OR 97006  
 1-800-237-8262

- **E-Mail Address:** To specify the destination e-mail address for error and service notifications, select E-Mail Address from the E-Mail Notification menu. The procedure is similar to that for setting the IP address (refer to **IP Configuration** on page 66). Enter up to 45 alphanumeric characters.

- **Error Notification:** To have the DHD Controller send a message to the destination e-mail address when a “DHD Error” or “Display Error” occurs, select Error Notification from the E-Mail Notification menu and set it to **On**.
- **Error Notification to Runco:** To have the DHD Controller send an e-mail message to Runco Customer Support when a “DHD Error” or “Display Error” occurs, select Error Notification to Runco from the E-Mail Notification menu and set it to **On**.
- **Periodic Service Notification:** You can have the the DHD Controller send periodic reminders via e-mail to perform regular maintenance tasks. To do this:
  1. Select Periodic Service Notification from the E-Mail Notification menu.
  2. Highlight **Enable** and press **ENTER**.
  3. Highlight **On** and press **ENTER**.
  4. Press **MENU**.
  5. Highlight **Timer** and press **ENTER**.
  6. Press **▶** or **◀** to set the notification interval in months. The range is from 1 to 255 inclusive; the default is 12 months.
  7. Press **MENU**.
- **Lamp Life Notification:** To have the DHD Controller send a message to the destination e-mail address when the lamp hour counter reaches a certain threshold, select Lamp Life Notification from the E-Mail Notification menu. Then:
  1. Highlight **Enable** and press **ENTER**.
  2. Highlight **On** and press **ENTER**.
  3. Press **MENU**.
  4. Highlight **Lamp Hours** and press **ENTER**.
  5. Press **▶** or **◀** to set the notification threshold in hours. The range is from 100 to 10,000 hours; the default is 1,000 hours.
  6. Press **MENU**.
- **Customer Information:** Select Customer Information from the E-Mail Notification menu to supply this information to the DHD Controller, which includes it in all e-mail notification messages. Six lines (up to 30 characters per line) of text are provided; use them however you wish.
  1. Press **▲** or **▼** repeatedly to select a line of text to edit.
  2. Press **ENTER**.
  3. Press **▲** or **▼** repeatedly to set the highlighted character.
  4. Press **▶** (or **◀**) to select the next (or previous) character. Use the **▲** and **▼** buttons to change it.
  5. Press **ENTER** when you have finished editing that line of text.
  6. Repeat Steps 1 through 5 for each line of text you want to edit.
  7. Press **MENU** when you have finished entering customer information.
- **E-Mail Calibration Data:** To have the DHD Controller collect all calibration data, attach it to a message and send it to the destination e-mail address, select E-Mail Calibration Data from the E-Mail Notification menu. To confirm this action, select **Yes** and press **ENTER**.

To cancel and return to the previous menu, select **No**.



- **Remote Network Control:** Select Remote Network Control from the Network menu to enable or disable control of the DHD Controller via an IP connection (typically using a web browser). Set it to **On** to allow all incoming remote network connectivity. Set it to **Off** to disable any incoming network communication that was not initiated by the DHD Controller.

**Note**

*This setting has no effect on the E-Mail Notification or Auto Firmware Upgrade functions.*

**Color Space:** Select Color Space from the Service menu to choose the color space of the source signal for HDMI, RGB, and component connections.

- The default setting, **Auto**, functions as follows:
  - **HDMI:** If the Auxiliary Video Information (AVI) infoframe contains color space and/or range data, the DHD Controller uses that information. Otherwise, for RGB sources, the DHD Controller uses the **RGB-Video** color space. For component SDTV and EDTV resolutions, **REC601** is used. For other component video resolutions, **REC709** is used.
  - **RGB:** If Hsync or Vsync signals are present, the DHD Controller uses the **RGB-PC** color space. Otherwise, **REC601** is used for SDTV and EDTV sources, and **REC709** for all other sources.
  - **Component:** For SDTV and EDTV resolutions, the DHD Controller uses the **REC601** color space. For all other resolutions, REC709 is used.

In most cases, the **Auto** setting determines the correct color space to use. If it does not, you can force the DHD Controller to use a specific color space. Choose one of the following:

- **REC709** sets the color space matrix to that defined in ITU-R BT.709.
- **REC601** sets the color space matrix to that defined in ITU-R BT.601.
- **RGB-PC** uses RGB color space and sets black at 0,0,0 RGB and white at 255,255,255 RGB, assuming an 8-bit image.
- **RGB-Video** uses RGB color space and sets black at 16,16,16 RGB and white at 235,235,235, assuming an 8-bit image, to correspond to the luminance values defined in digital component standards.

**Triggers:** Select Triggers from the Service menu to configure the 12-volt trigger outputs. You can assign one or more trigger outputs to each aspect ratio. Those triggers are then activated by selecting that aspect ratio.

If your LS-10d is equipped with an anamorphic lens, assign at least one trigger output (the same one to which the lens motor is connected) to the Cinema and Virtual Cinema aspect ratios.

**Miscellaneous:** Select Miscellaneous from the Service menu to set the following options:

- **Language:** Select Language from the Miscellaneous menu and press the up- or down-arrows to select the OSD Language (English, Français, Deutsch, Italiano, Español, Svenska, Traditional Chinese, Simplified Chinese, Português or Russian).
- **OSD Timer:** Select OSD Timer from the Miscellaneous menu to set the OSD Timer, which controls how long the menus remain on-screen after selecting them. Select from 5 to 60 seconds, in one-second increments. Or, set the timer to 0 (disabled) if you want the menus to remain on-screen indefinitely.

- **OSD Messages:** When you select a new aspect ratio, input source or memory preset, the DHD Controller briefly displays an on-screen message confirming your new selection. To prevent the display of these messages, select OSD Messages from the Miscellaneous menu to and set it to **Off**.
- **Blank Screen Color:** Select Blank Screen Color from the Miscellaneous menu to select the color that appears when no incoming signal is present. The range is from 0 to 255 inclusive for each color component (red, green and blue).
- **Sidebar Color:** Select Sidebar Color from the Miscellaneous menu to change the color of the inactive image area. The range is from 0 to 255 inclusive for each color component (red, green and blue). The inactive image area is on either side of the active image area when using the 4:3 aspect ratio.
- **Film Mode:** Use Film Mode to smooth out moving images from interlaced, standard-definition (SD) sources. In most cases, the DHD Controller detects the proper “pull-down” rate and vertical frequency. However, if your source is jittery and/or tearing you may want to enable Film Mode to ensure stable processing for that source.
- **CUE (Chroma Upsampling Error) Correction:** Some DVD players use MPEG decoders that do not correctly “upsample” the 4:2:0 format chroma information on the DVD to the 4:2:2 or 4:4:4 format required by the video encoder of the display device.

This so-called “chroma bug” sometimes causes streaky or spiky horizontal lines running through the chroma channel. It is most noticeable in static, interlaced scenes and on diagonal edges (especially red ones). Set CUE to **On** to correct this issue.

- **Remote Code:** Select Remote Code from the Miscellaneous menu to set the infrared (IR) code set to which the DHD Controller will respond. By default, it is set to 17. You can change this setting if either:
  - Another device in the theater (a DVD player, for example) is responding to commands from the DHD Controller remote control (Figure 2-6) in ways that are unpredictable or undesirable.
  - You have multiple DHD Controllers and want to control them independently, as opposed to broadcasting commands from a single remote to all of them. In this scenario, you can use multiple remotes programmed to use different IR codes. Or, you can use a single remote and change the IR code as needed to address a specific DHD Controller.



**Tip**

*Use the DHD Controller front-panel keypad to change the IR code to which the controller will respond. Then, change the code sent by the remote to match as described below.*

When you change a remote code on the DHD Controller, you must re-program the DHD Controller remote control to send that same code. To do this:

1. Press and hold the **LIGHT** button on the remote control for approximately three seconds, or until the LED on the remote lights solid red.
2. Enter a new two-digit code between 00 and 31 inclusive. Include a leading zero for single-digit codes; for example, enter 9 as “09.”
3. The LED turns off to confirm the code change. If you enter an invalid code, the LED flashes for three or four seconds. Try again, entering a valid code.



**Sync Threshold:** Select Sync Threshold to adjust the threshold at which negative pulses on the component video green/luma channel are interpreted to be sync pulses.

Sync Threshold adjustment is occasionally necessary when a DVD player or HDTV source signal drops “below black” (for example, during scenes with explosions or when subtitles are present) and causes the projector to temporarily lose sync. If the sync level from the source is persistently too low, the display device won’t sync with the source at all.

The range is from 0 (approximately 60 millivolts (mV)) to 15 (approximately 300 mV).

**HDMI:** Select HDMI from the Service menu to set the following options affecting communication between HDMI sources, the DHD Controller and the LS-10d.

- **HDMI EDID Extension:** Extended display identification data (EDID) is a data structure provided by a display device to describe its capabilities to a graphics card. It is what enables a modern personal computer to know what kind of monitor is connected.

Some modern display devices provide more information via EDID than others, in the form of “extensions.” Some computer graphics cards do recognize or properly interpret this extended EDID information.

Select HDMI EDID Extension from the HDMI menu to specify whether or not the EDID extensions from the display device are passed through to the sources connected to the HDMI 1, HDMI 2, HDMI 3 or HDMI 4 inputs. By default, the extensions are on. Change these settings only if HDMI EDID incompatibility issues arise.

- **Audio Format:** Select Audio Format from the HDMI menu to choose an option for routing the audio signal from an HDMI source. With the LS-10d, the recommended setting is **HDMI Out (Audio Only)**. (This is the default setting.)
- **CEC:** This control chooses whether or not the DHD Controller responds to HDMI CEC control messages from a disc player, set-top box or other HDMI source. It also enables or disables CEC communication between the DHD Controller and projector.

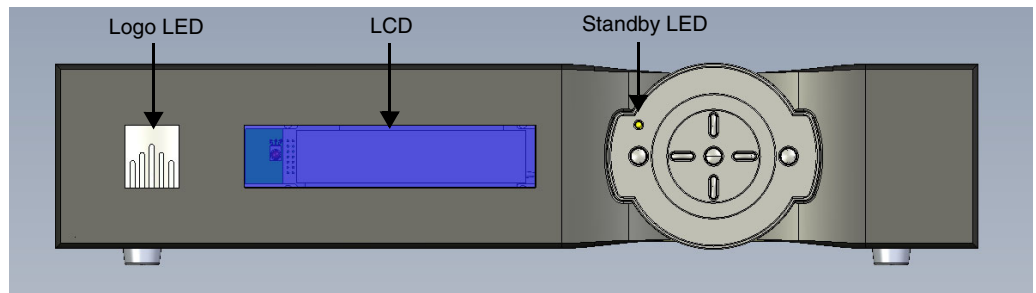
The default (and recommended) setting is **On**. For more information about CEC, refer to **Using HDMI CEC Messages** on page 84.



**Note**

1. Setting **CEC** to **Off** prevents communication between the DHD Controller and projector, and should be done only for troubleshooting purposes.
2. The DHD Controller does not transmit HDMI CEC control messages from the “HDMI Audio Out” connector.

**Front Panel Brightness:** Select Front Panel Brightness from the Service menu to adjust the brightness of the front-panel LED and LCD status indicators.



- **Logo LED:** Select Logo LED from the Front Panel Brightness menu to adjust the brightness of the large, illuminated logo on the left side of the display. The range is from 0 (off) to 31.
- **Standby LED:** Select Standby LED from the Front Panel Brightness menu to change the behavior of the front-panel STANDBY indicator LED. When set to ON, the LED lights amber when the system is in standby mode; otherwise, it is off. When set to OFF, the LED is always off.
- **LCD:** Select LCD from the Front Panel Brightness menu to adjust the brightness of the front-panel LCD. The range is from 0 (off) to 4.

**Auto Power Off:** Select Auto Power Off from the Service menu to have the LS-10d turn itself off after a period of inactivity (no source signal present).

- **Enable:** By default, Auto Power Off is disabled. To enable it, select Enable from the Auto Power Off sub-menu and set it to On.
- **Hours:** The default time-out period is eight (8) hours; the range is from 1 to 24 hours.

**System Reset:** To reset ALL controller settings (including image settings) back to their factory defaults, choose System Reset from the Service menu.

A confirmation message appears. Select Yes to continue with the reset or select No to cancel.



**Caution**

***This action is not undoable. Proceed with caution!*** Before you perform a System Reset, save your "Custom" Memory Presets (page 56) and ISF Day/Night Memory Presets (page 63).

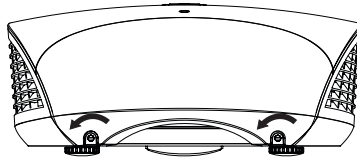
# 5. Maintenance and Troubleshooting

The lamp should be replaced when it reaches the end of its life (typically between 2000 and 4000 hours depending on the Lamp Power setting), or sooner if a noticeable degradation in brightness occurs. Contact your Runco dealer to obtain a replacement lamp.

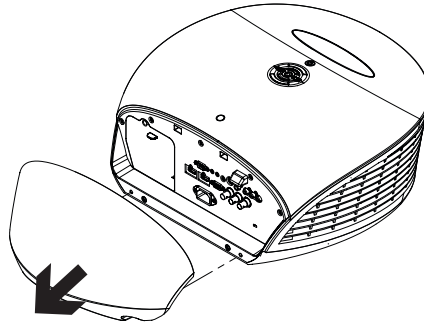
## 5.1 Lamp Replacement

1. Turn off the projector and unplug the power cord. **Allow the projector to cool down for approximately 60 minutes prior to removing the lamp assembly for replacement.**

2. Using a flat-blade screwdriver, loosen the two screws holding the rear compartment cover in place.

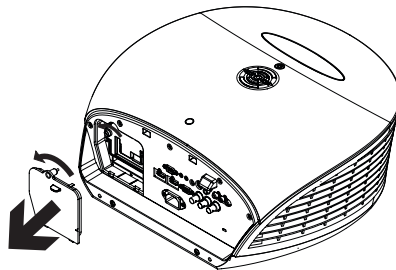


3. Remove the rear compartment cover by tilting it upward.



4. Loosen the screw on the lamp cover and pull the lamp cover out.

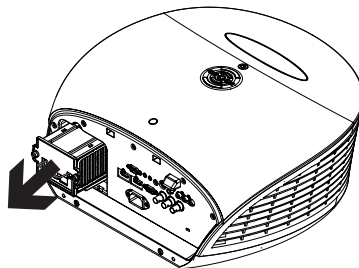
5. Loosen the two screws on the lamp module.



6. Pull the lamp module handle firmly to remove the lamp module.

7. Perform Steps 6 through 2 (in reverse order) to install the new lamp module.

8. Turn on the DHD Controller and projector.



9. Reset the Lamp Hour counter. To do this, select Lamp Hours Reset from the Display Device - Configure menu. A confirmation dialog box appears. Select "Yes," then press **ENTER** to continue with the reset or "No" to cancel the operation.

## 5.2 Troubleshooting Tips

Table 5-1 provides some general guidelines for troubleshooting problems you may encounter with the LS-10d. If you encounter an issue not described here, please contact Runco Technical Support.

**Table 5-1. Troubleshooting Chart**

Symptom	Possible Cause(s)	Solution
The projector does not turn on after initial installation. The power LED on the front of the DHD Controller lights red after you press the power button.	<ul style="list-style-type: none"> <li>The DHD Controller is connected to the LS-10d incorrectly or not at all.</li> <li>The LS-10d is not plugged in or the AC outlet is not active.</li> </ul>	<ul style="list-style-type: none"> <li>Verify the HDMI cable connection from the DHD Controller to the LS-10d. <b>Do not use a DVI cable for this connection.</b></li> <li>Ensure that the LS-10d is plugged in and that the AC outlet is active.</li> </ul>
The projector and DHD Controller are both on, but there is no video image on-screen.	<ul style="list-style-type: none"> <li>Incorrect source selection.</li> <li>Source component is not turned on.</li> </ul>	<ul style="list-style-type: none"> <li>Select the correct source.</li> <li>Turn on the source.</li> </ul>
Image is too bright and/or lacks definition in the bright areas of the image.	<ul style="list-style-type: none"> <li>Contrast is set too high.</li> </ul>	<ul style="list-style-type: none"> <li>Lower the contrast setting.</li> </ul>
Image appears "washed out" and/or dark areas appear too bright.	<ul style="list-style-type: none"> <li>Brightness is set too high.</li> </ul>	<ul style="list-style-type: none"> <li>Lower the brightness setting.</li> </ul>
Colors in the image are swapped; for example, reds appear blue or vice versa.	<ul style="list-style-type: none"> <li>The Red/Pr, Green/Y or Blue/Pb outputs from the source are connected to the wrong inputs on the DHD Controller.</li> </ul>	<ul style="list-style-type: none"> <li>Ensure that the source outputs are connected to the correct DHD Controller input.</li> </ul>
Image geometry is incorrect.	<ul style="list-style-type: none"> <li>Incorrect aspect ratio selection.</li> </ul>	<ul style="list-style-type: none"> <li>Select the aspect ratio that best matches the source image and screen size (refer to Table 4-1).</li> </ul>
The projector will not turn back on after it was powered down, or the image disappears during operation.	<ul style="list-style-type: none"> <li>The projector will not turn on for two minutes after power-down, to protect the lamp.</li> <li>The lamp has failed.</li> </ul>	<ul style="list-style-type: none"> <li>Wait two minutes until the LED at the front of the DHD Controller turns red.</li> <li>Replace the lamp.</li> </ul>

# 6. External Control

In addition to using the DHD Controller front-panel keypad or remote control unit, there are three methods of controlling the LS-10d and DHD Controller externally:

- Using a serial (RS-232) link to send ASCII commands and receive responses to those commands.
- Using discrete infrared (IR) codes to program a third-party remote control unit.
- Using an HDMI connection to send Consumer Electronics Control (CEC) commands from a BD player or other source component that supports CEC.

The following sections describe these methods.

The DHD Controller uses a simple text-based control protocol to take requests from control devices and to provide responses to such devices. This section describes how to send control messages over a serial link between the DHD Controller and an automation/control system or a PC running terminal emulation software.

To interface the LS-10d with an automation/control system or a PC running terminal emulation software, connect it to the DHD Controller as shown in Figure 3-7. Connect your control system or PC to the RS-232 input of the DHD Controller as shown in Figure 3-13.

Configure the RS-232 controller or PC serial port as follows: no parity, 8 data bits, 1 stop bit and no flow control. Set the baud rate to 19200, to match that of the DHD Controller RS-232 port.

Serial commands to the DHD Controller take the following form:

- Commands are not case-sensitive.
- For a single command that takes no parameters, type the command followed by a carriage return; for example, to set the aspect ratio to Letterbox, type `LETTERBOX <Enter>`.
- For a single command that takes a parameter, type the command, a space or a comma and the desired value followed by a carriage return; for example, to set the brightness to -10, type `BRIGHTNESS -10 <Enter>` or `BRIGHTNESS, -10 <Enter>`.
- You can also send a string of multiple commands on a single line, separated by commas. For example, `COMPOSITE, BRIGHTNESS 50, 16:9 <Enter>` switches to the Composite video input, sets the brightness to 50 and sets the aspect ratio to 16:9. Command strings can be up to 255 characters long.



## Note

Avoid combining the `ON` or `POWER 1` commands with other commands on a single line. After sending `ON` or `POWER 1`, allow at least five (5) seconds for the DHD Controller to power up. If you have enabled the ISF splash screen (refer to **Splash Configure** on page 64), allow 15 seconds for the DHD Controller to power up.

Once it does, it will accept and properly execute multiple serial commands.

## 6.1 Serial Communications

### ◀ RS-232 Connection and Port Configuration

### ◀ Serial Command Syntax

Table 6-1 lists the RS-232 command set. The “Parameter (min/max)” column shows the valid parameter ranges, or “NA” for commands that take no parameters.

When you enter a valid command, the DHD Controller executes it and acknowledges it with a plus sign on the command line (+ >). When you enter an invalid command – one that is misspelled or followed by values outside the valid range for that command – the DHD Controller ignores it and returns a minus sign (- >).

**Table 6-1. Serial Commands**

Command	Parameter (min/max)	Value Stored?	Description
<b>Power On/Off Commands</b>			
OFF	NA	NA	Turns projector off
ON	NA	NA	Turns projector on
POWER	0/1	NA	Turns projector on and off
POWER?	NA	NA	Returns power status
<b>Input Selection Commands</b>			
COMPONENT	NA	YES	Selects the Component input
COMPOSITE or COMPOSITE1	NA	YES	Selects the Composite 1 video input
COMPOSITE2	NA	YES	Selects the Composite 2 video input
COMPOSITE3	NA	YES	Selects the Composite 3 video input
HDMI1	NA	YES	Selects the HDMI 1 input
HDMI2	NA	YES	Selects the HDMI 2 input
HDMI3	NA	YES	Selects the HDMI 3 input
HDMI4	NA	YES	Selects the HDMI 4 input
HD1	NA	YES	Selects the RGB HD 1 input
HD2	NA	YES	Selects the RGB HD 2 input
INPUT?	NA	NA	Returns active input
SCART	NA	YES	Selects the SCART input



**Table 6-1. Serial Commands (continued)**

Command	Parameter (min/max)	Value Stored?	Description
<b>Aspect Ratio Commands</b>			
16:9	NA	YES	Selects the 16:9 aspect ratio
4:3	NA	YES	Selects the 4:3 aspect ratio
ASPECT?	NA	NA	Returns current aspect ratio
CINEMA	NA	YES	Selects the Cinema aspect ratio
LETTERBOX	NA	YES	Selects the Letterbox aspect ratio
NATIVE	NA	YES	Selects the Native aspect ratio
VIRTUALWIDE	NA	YES	Selects the VirtualWide aspect ratio
VIRTUALCINEMA	NA	YES	Selects the Virtual Cinema aspect ratio
<b>Picture Adjust Commands</b>			
BRIGHTNESS	-50/50	YES	Sets a value for brightness
BRIGHTNESS?	NA	NA	Returns brightness setting value
CHROMADELAY	-7/7	YES	Sets a value for input color chroma delay
CHROMADELAY?	NA	NA	Returns input color chroma delay setting
COLOR	-50/50	YES	Sets a value for color
COLOR?	NA	NA	Returns color setting value
CONTRAST	-50/50	YES	Sets a value for contrast
CONTRAST?	NA	NA	Returns contrast setting value
FILMMODE	0/1	YES	Sets Film Mode off (0) or on (1)
FILMMODE?	NA	NA	Returns Film Mode setting (0 = off; 1 = on)
FILTER	0/10	YES	Sets a value for input color noise filter
FILTER?	NA	NA	Returns input color noise filter setting
PHASE	0/31	YES	Adjusts phase
PHASE?	NA	NA	Returns phase setting value
SHARPNESS	-50/50	YES	Sets a value for sharpness
SHARPNESS?	NA	NA	Returns sharpness setting value
TINT	-50/50	YES	Sets a value for tint
TINT?	NA	NA	Returns tint setting value

**Table 6-1. Serial Commands (continued)**

<b>Command</b>	<b>Parameter (min/max)</b>	<b>Value Stored?</b>	<b>Description</b>
<b>Image Preset Commands</b>			
CUSTOM1	NA	YES	Loads "Custom 1" image preset
CUSTOM2	NA	YES	Loads "Custom 2" image preset
DAY	NA	YES	Loads "ISF Day" image preset
NIGHT	NA	YES	Loads "ISF Night" image preset
PRESET?	NA	NA	Returns currently-selected preset (ISF Day, ISF Night, Custom 1 or Custom 2)
<b>Input Position Commands</b>			
IHEIGHT	0/20	YES	Sets the value for input height
IHEIGHT?	NA	NA	Returns input height value
IHPOS	-50/50	YES	Sets a value for horizontal input position
IHPOS?	NA	NA	Returns input horizontal position value
IVPOS	-50/50	YES	Sets a value for vertical input position
IVPOS?	NA	NA	Returns input vertical position value
IWIDTH	0/50	YES	Sets the value for input width
IWIDTH?	NA	NA	Returns input horizontal width value
OVERSCAN	0/20	YES	Sets the overscan percentage
OVERSCAN?	NA	NA	Returns overscan percentage
OVERSCANMODE	0/1	YES	Sets the overscan mode (0=zoom; 1=crop)
OVERSCANMODE?	NA	NA	Returns the overscan mode (0=zoom; 1=crop)
<b>Output Shift Commands</b>			
OHEIGHT	-50/50	YES	Sets the value for output height
OHEIGHT?	NA	NA	Returns output height value
OHPOS	-50/50	YES	Sets the value for output horizontal position
OHPOS?	NA	NA	Returns output horizontal position value
OVPOS	-50/50	YES	Sets the value for output vertical position
OVPOS?	NA	NA	Returns output vertical position value
OWIDTH	-50/50	YES	Sets the value for output width
OWIDTH?	NA	NA	Returns output horizontal width value

**Table 6-1. Serial Commands (continued)**

Command	Parameter (min/max)	Value Stored?	Description
<b>Sleep Timer Commands</b>			
SLEEPTMR?	NA	NA	Returns sleep timer setting
STOFF	NA	YES	Sets the sleep timer to Off
ST30MIN	NA	YES	Sets the sleep timer to 30 minutes
ST60MIN	NA	YES	Sets the sleep timer to 60 minutes
ST90MIN	NA	YES	Sets the sleep timer to 90 minutes
ST2HRS	NA	YES	Sets the sleep timer to 2 hours
ST4HRS	NA	YES	Sets the sleep timer to 4 hours
<b>Miscellaneous Commands</b>			
DISPLAY?	NA	NA	Returns display device input source value, as follows: 1 = Auto 46 = LS-10d
INRES?	NA	NA	Returns input resolution
MACADDR?	NA	NA	Returns DHD Controller MAC address
MODEL?	NA	NA	Returns product model name
OUTRES?	NA	NA	Returns output resolution
SERNUM?	NA	NA	Returns DHD Controller serial number
SWVER?	NA	NA	Returns software version number
SYSSTATE?	0/4	NA	Returns current system state 0 = Off 1 = Initializing 2 = On 3 = Powering Down 4 = Error
TRIGGER	1/3	YES	Assigns trigger to currently-selected aspect ratio
The following serial commands are meant to emulate buttons on the remote control or DHD Controller front panel. Each button has its own serial command, so effectively it is as if you were using the IR remote only you'll be doing so via serial commands. These commands provide active OSD responses just like the IR remote.			
DOWN	NA	NA	Down-Arrow (▼) key
ENTER	NA	NA	<b>ENTER</b> key
EXIT	NA	NA	<b>EXIT</b> key
LEFT	NA	NA	Left-Arrow (◀) key
MENU	NA	NA	<b>MENU</b>

**Table 6-1. Serial Commands (continued)**

Command	Parameter (min/max)	Value Stored?	Description
RIGHT	NA	NA	Right-Arrow (▶) key
UP	NA	NA	Up-Arrow (▲) key

## 6.2 Using Discrete IR Codes

The DHD Controller accepts commands in the form of IR signals that conform to the Phillips RC5 protocol. Each DHD Controller remote control button has an RC5 control code associated with it.

You can use these codes to program a third-party, “universal” remote control unit to work with the DHD Controller. These third-party products usually come with a computer software application for this purpose. For more information, consult the documentation provided with the remote control unit.

### IR Command Protocol ➤

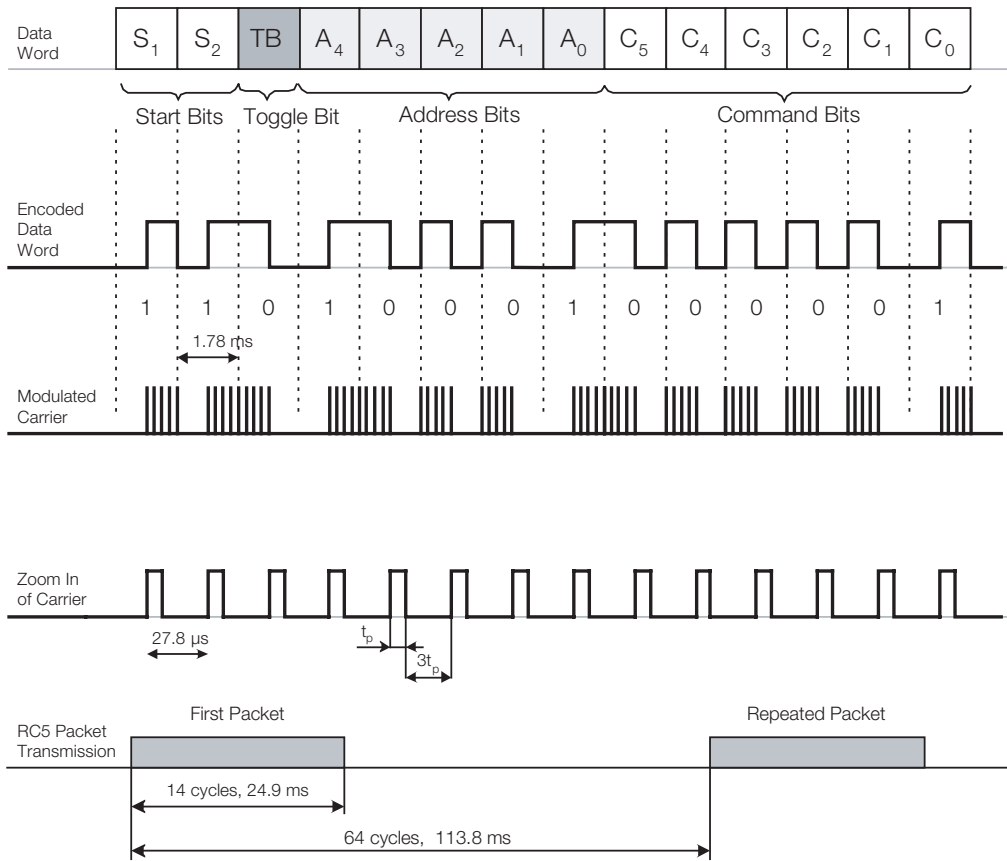
The IR control codes have the following characteristics:

- Each code consists of 14 bits:
  - Two (2) **start bits** (always 1);
  - A **toggle bit**. This bit is inverted every time a key is released and pressed again. This allows the DHD Controller to distinguish between a button that remains down and one that is pressed repeatedly.
  - Five (5) **address bits**. The default address is **17** (binary 10001). To change it, select Remote Code from the Miscellaneous menu (in the Service menu) and follow the steps given on page 70.
  - Six (6) **data bits**.
- The carrier frequency is 36 kHz, with the modulated pulses having a 25% duty cycle.
- Commands are sent at a maximum rate of 9 Hz.

For example, here is the RC5 control code for the **ON** button on the DHD Controller remote control unit (assuming the default address is used):

With Toggle Bit = 0														
Hex	3		4				4				1			
Binary	1	1	0	1	0	0	0	1	0	0	0	0	0	1
With Toggle Bit = 1														
Hex	3		C				4				1			
Binary	1	1	1	1	0	0	0	1	0	0	0	0	0	1
Function	Start Bits		Toggle Bit	Address				Command						

Figure 6-1 shows the pulse train for this command (with the toggle bit set to zero).



**Figure 6-1. RC5 Message Format**

Table 6-2 lists the RC5 control codes for the DHD Controller.

◀ **IR Command List**

**Table 6-2. RC5 Control Codes for the DHD Controller**

Remote Control Button Name	RC5 Data from Remote Control (Note)	RC5 Data with Toggle Bit = 1 (Note)	Description
16:9	0x3449	0x3C49	16:9 aspect ratio
4:3	0x344A	0x3C4A	4:3 aspect ratio
CINEMA	0x346C	0x3C6C	Cinema aspect ratio
COMP	0x344E	0x3C4E	Component video input
CUST 1	0x3472	0x3C72	Custom 1 memory preset
CUST 2	0x3473	0x3C73	Custom 2 memory preset

**Note:** These codes assume that the default address of 17 is used. If you change it to something other than 17, you will need to modify these codes accordingly.

**Table 6-2. RC5 Control Codes for the DHD Controller (continued)**

Remote Control Button Name	RC5 Data from Remote Control (Note)	RC5 Data with Toggle Bit = 1 (Note)	Description
16:9	0x3449	0x3C49	16:9 aspect ratio
4:3	0x344A	0x3C4A	4:3 aspect ratio
CINEMA	0x346C	0x3C6C	Cinema aspect ratio
COMP	0x344E	0x3C4E	Component video input
CUST 1	0x3472	0x3C72	Custom 1 memory preset
CUST 2	0x3473	0x3C73	Custom 2 memory preset
DOWN	0x3446	0x3C46	Down-Arrow (▼)
ENTER	0x3444	0x3C44	<b>ENTER</b>
EXIT	0x3474	0x3C74	<b>EXIT</b>
HD 1	0x3451	0x3C51	HD1 video input
HD 2	0x3452	0x3C52	HD2 video input
HDMI 1	0x3453	0x3C53	HDMI1 video input
HDMI 2	0x3454	0x3C54	HDMI2 video input
HDMI 3	0x3455	0x3C56	HDMI3 video input
HDMI 4	0x3456	0x3C56	HDMI4 video input
ISF DAY	0x3471	0x3C71	ISF Day memory preset
ISF NT	0x3470	0x3C70	ISF Night memory preset
LEFT	0x3447	0x3C47	Left-Arrow (◀)
LET BOX	0x344B	0x3C4B	Letterbox aspect ratio
MENU	0x3443	0x3C43	<b>MENU</b>
NATIVE	0x346E	0x3C6E	Native aspect ratio
OFF	0x3442	0x3C42	Power off
ON	0x3441	0x3C41	Power on
RIGHT	0x3448	0x3C48	Right-Arrow (▶)
SCART	0x3457	0x3C57	SCART video input
STOFF	0x3460	0x3C60	Sets the sleep timer to Off
ST30MIN	0x3461	0x3C61	Sets the sleep timer to 30 minutes
ST60MIN	0x3462	0x3C62	Sets the sleep timer to 60 minutes

**Note:** These codes assume that the default address of 17 is used. If you change it to something other than 17, you will need to modify these codes accordingly.

**Table 6-2. RC5 Control Codes for the DHD Controller (continued)**

Remote Control Button Name	RC5 Data from Remote Control (Note)	RC5 Data with Toggle Bit = 1 (Note)	Description
ST90MIN	0x3463	0x3C63	Sets the sleep timer to 90 minutes
ST2HRS	0x3464	0x3C64	Sets the sleep timer to 2 hours
ST4HRS	0x3465	0x3C65	Sets the sleep timer to 4 hours
UP	0x3445	0x3C45	Up-Arrow (▲)
VID 1	0x344D	0x3C4D	Composite video input 1
VID 2	0x3458	0x3C58	Composite video input 2
VID 3	0x3459	0x3C59	Composite video input 3
V-CINE	0x346D	0x3C6D	Virtual Cinema aspect ratio
V-WIDE	0x344C	0x3C4C	VirtualWide aspect ratio

**Note:** These codes assume that the default address of 17 is used. If you change it to something other than 17, you will need to modify these codes accordingly.

### 6.3 Using HDMI CEC Messages

The DHD Controller accepts and can respond to CEC command messages from a disc player, satellite receiver or DVR/set-top box via an HDMI connection. Using CEC, the DHD Controller can perform the following actions:

- Turn itself and the projector on and select the correct input when the source component initiates playback of a disc or recorded program.
- Turn the source component on when you switch to its corresponding input on the DHD Controller.
- Turn the source component off when the LS-10d system is turned off (unless the source component is in playback mode).
- Change its OSD language when a similar change is made at the source.

To use CEC, connect your CEC-compatible sources to the HDMI inputs on the DHD Controller. Set the CEC option to **On** (refer to **CEC** on page 71). Additional steps may be needed to enable CEC at the source. Refer to the documentation for your source device for more information.

**CEC Command List** ➤ Table 6-3 lists the CEC commands supported by the DHD Controller.

**Table 6-3. CEC Commands Supported by the DHD Controller**

Opcode	Value	Supported? (√ = Yes, – = No)	
		Initiator	Follower
Feature Abort	0x00	√	√
Standby	0x36	√	√
Routing Change	0x80	√	√
Routing Information	0x81	√	√
Active Source	0x82	√	√
Request Active Source	0x85	√	√
Device Vendor ID	0x87	√	√
Give Device Vendor ID	0x8C	√	√
Vendor Command With ID	0xA0	√	√
Polling Message	N/A	√	√
Text View On	0x0D	√	–
Report Physical Address	0x84	√	–
Inactive Source	0x9D	√	–
CEC Version	0x9E	√	–
Set OSD Name	0x47	√	–
Menu Status	0x8E	√	–
Report Power Status	0x90	√	–
Set Menu Language	0x32	–	√



**Table 6-3. CEC Commands Supported by the DHD Controller (continued)**

Opcode	Value	Supported? (√ = Yes, – = No)	
		Initiator	Follower
Give Physical Address	0x83	–	√
Set Stream Path	0x86	–	√
Get CEC Version	0x9F	–	√
Abort Message	0xFF	–	√
User Control Pressed	0x44	–	√
User Control Released	0x45	–	√
Give OSD Name	0x46	–	√
Menu Request	0x8D	–	√
Give Device Power Status	0x8F	–	√

**Note**

*The DHD Controller does not transmit HDMI CEC control messages from the “HDMI Audio Out” connector.*

**Notes:**

# 7. Specifications

Table 7-1 lists the LS-10d specifications.

## 7.1 LS-10d Specifications

**Table 7-1. LS-10d Specifications**

<b>Projector Type:</b>	Digital Light Processing™ (DLP), 3-chip, 16:9 SuperOnyx™ DMD™
<b>Native Resolution:</b>	1,920 x 1,080 (2,073,600 pixels)
<b>Aspect Ratios:</b>	Refer to Table 7-2
<b>Video Standards:</b>	Refer to Table 7-2
<b>DTV Compatibility:</b>	480i, 480p, 576i, 576p, 720p, 1080i 50/60, 1080p 24/50/60
<b>Picture Size (16:9 Screen):</b>	Recommended Width: 72 - 120 in. Maximum Width: 180 in.
<b>Throw Distance (Factor x Screen Width):</b>	Refer to Table 3-3
<b>Horizontal and Vertical Offset:</b>	<b>Proteus 1:</b> None <b>Proteus 2, 3, 4, 5, 6:</b> Horizontal: 30% of screen width left or right Vertical: 65% of screen height up or down
<b>Lamp:</b>	230/260W (selectable) HPM lamp
<b>Estimated Lamp Life:</b>	2000 hours, typical (260W power setting); 3000 hours, typical (230W power setting);
<b>Inputs (from DHD Controller):</b>	(1) HDMI with HDCP (1) RS-232
<b>Power Requirements:</b>	100 to 240 VAC (auto-sensing), 50/60 Hz, 400 Watts (1365.2 BTUs/hour)
<b>Operating Environment:</b>	50°F to 104°F (10°C to 40°C), 0% to 85% humidity (non-condensing)
<b>Dimensions:</b>	See Figure 7-1

**Table 7-1. LS-10d Specifications (continued)**

<p><b>Brightness and Contrast:</b></p>	<p><b>Cinema Standards Measurement System (CSMS) Specifications</b></p> <ul style="list-style-type: none"> <li>- Brightness: 119 foot-Lamberts (fL)</li> <li>- Contrast Ratio: 251:1</li> </ul> <p>These measurements are taken from the projector in a controlled, home theater environment. All measurements are made to ANSI/NAPM IT7.228-1997 specifications using the Photo Research PR-650 SpectraColorimeter and Minolta LS-100 Luminance Meter, Video Essentials test DVD and a 1.3 gain, 72-inch wide screen. The projector is calibrated to a color temperature of 6,500K and has a minimum of 150 hours of usage.</p> <p>The foot-Lambert (fL) is the unit of measurement used in commercial movie theaters to express image brightness at the screen surface. The Society of Motion Picture and Television Engineers (SMPTE) specifies 16 fL as the target image brightness for film-based projectors using an open gate (without film in the projector). More importantly, today SMPTE specifies 12 fL as the target image brightness in Digital Cinema theaters. The foot-Lambert measurement is dependent on screen size, screen gain and projector light output.</p> <p><b>Home Theater Calibration Specifications</b></p> <ul style="list-style-type: none"> <li>- Light Output: 1845 ANSI Lumens</li> <li>- Contrast Ratio: 251:1</li> </ul> <p>These specifications are obtained by calibrating the projector as described above for CSMS measurements.</p> <p><b>Industry-Standard Specifications</b></p> <ul style="list-style-type: none"> <li>- Light Output: 2100 ANSI Lumens</li> <li>- Contrast Ratio: 10,000:1 full-on, full-off (dynamic)</li> </ul> <p>These are typical projector brightness and contrast specifications found in most companies' sales literature. Runco includes these measurements in its literature to allow for direct comparison with other manufacturers' projectors. These measurements are typically taken at 9,000K to 13,000K to get expected performance data when the projector is used in professional, commercial and industrial displays.</p>
<p><b>Weight (without lens):</b></p>	<p>40.8 lbs. (18.50 kg)</p>
<p><b>Regulatory Approvals:</b></p>	<p>FCC Part 15 Class B, CE Class B, UL, cUL, CB, RoHS, WEEE, local conformances as required</p>
<p><b>Limited Warranty:</b></p>	<p>Projector: Two (2) years parts and labor from the date of shipment from Runco. RuncoCare™ and Runco RedCarpet™ plans are also available.</p> <p>Lamp: 1000 hours or six (6) months, whichever comes first.</p>
<p><b>Specifications are subject to change without notice.</b></p>	

Table 7-2 lists the DHD Controller specifications.

**Table 7-2. DHD Controller Specifications**

<b>Aspect Ratios:</b>	4:3, Letterbox, 16:9, VirtualWide, Cinema, Virtual Cinema, Native
<b>Video Standards:</b>	NTSC, PAL, SECAM, ATSC
<b>Inputs:</b>	(3) Composite (1) Component/SCART (3 x RCA) (2) Component/RGBHV (5 x BNC) (4) HDMI with HDCP
<b>Output:</b>	HDMI with HDCP
<b>Control Options:</b>	<ul style="list-style-type: none"> <li>- Consumer Electronics Control (CEC) protocol support via HDMI</li> <li>- Discrete infrared remote</li> <li>- Serial commands via RS-232</li> <li>- Front-panel controls</li> </ul>
<b>RS-232 Communication Parameters:</b>	19200 bps, no parity, 8 data bits, 1 stop bit, no flow control
<b>Trigger Outputs:</b>	(3) +12 VDC, each rated at 250 mA and thermal fuse-protected
<b>Bandwidth:</b>	150 Mega Samples per Second (MSPS)
<b>Power Requirements:</b>	100 to 240 VAC (auto-sensing), 50/60 Hz, 160 watts
<b>Operating Environment:</b>	41°F to 95°F (5°C to 35°C), 0% to 90% humidity (non-condensing)
<b>Dimensions:</b>	Width = 17.50 inches (444.5 mm) Depth = 11.19 inches (284.1 mm) Height = 3.75 inches (95.3 mm)
<b>Weight:</b>	13.0 lbs. (5.90 kg)
<b>Regulatory Approvals:</b>	Complies with FCC, CE C-Tick
<b>Limited Warranty:</b>	Two (2) years parts and labor from the date of shipment from Runco.
<b>Specifications are subject to change without notice.</b>	

## 7.2 DHD Controller Specifications

### 7.3 LS-10d Dimensions

Figure 7-1 shows the LS-10d dimensions, in [millimeters] and inches.

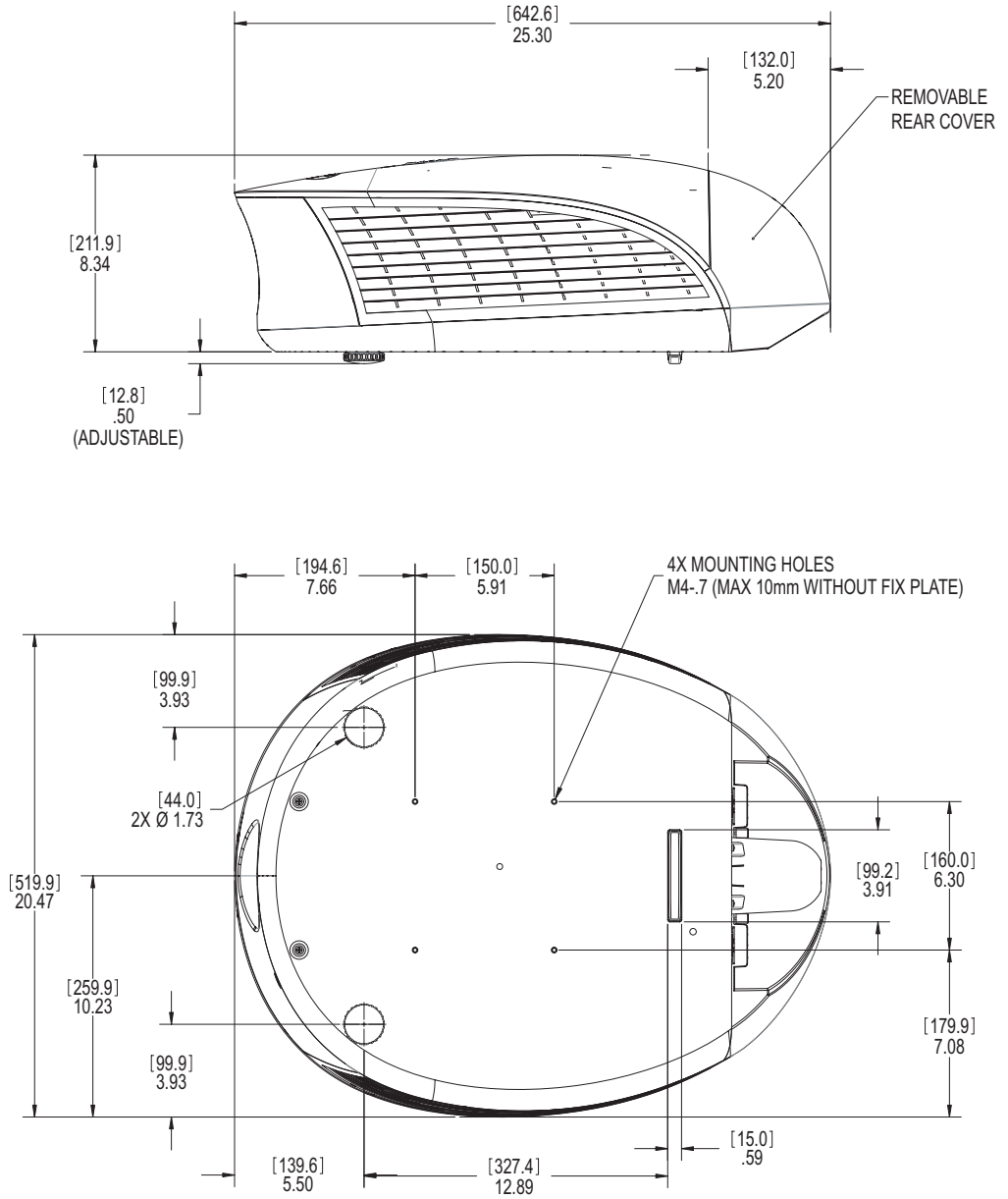


Figure 7-1. LS-10d Dimensions

Table 7-3 lists the signal types supported by each input on the DHD Controller.

## 7.4 Supported Timings

**Table 7-3. Supported Signal Timings by Input**

Format	Resolution	Refresh Rate (Hz)	Horizontal Frequency (kHz)	Pixel Frequency (MHz)	Supported? (√ = Yes, – = No)				
					HD 1 HD 2	HDMI 1 HDMI 2 HDMI 3 HDMI 4	Component	SCART	Composite 1 Composite 2 Composite 3
640x480	640x480	60.00	31.469	25.175	√	√	√	–	–
		66.59	35.892	29.862	√	√	√	–	–
		72.00	37.861	31.500	√	√	√	–	–
		75.00	37.500	31.500	√	√	√	–	–
		85.00	43.269	36.000	√	√	√	–	–
800x600	800x600	60.00	37.879	40.000	√	√	√	–	–
		72.00	48.077	50.000	√	√	√	–	–
		75.00	46.875	49.500	√	√	√	–	–
		85.00	53.674	56.250	√	√	√	–	–
832x624	832x624	74.54	52.849	60.036	√	√	√	–	–
848x480	848x480	47.95	25.270	27.089	√	√	√	–	–
		60.00	31.020	33.750	√	√	√	–	–
1024x768	1024x768	60.00	48.363	65.000	√	√	√	–	–
		70.00	56.476	75.000	√	√	√	–	–
		75.00	60.023	78.750	√	√	√	–	–
		85.00	68.677	94.500	√	√	√	–	–
1152x864	1152x864	75.00	67.500	108.000	√	√	√	–	–
1280x720	1280x720	47.95	37.833	64.769	√	√	√	–	–
1280x768	1280x768	60.00	47.396	68.250	√	√	√	–	–
		60.00	47.776	79.500	√	√	√	–	–
		75.00	60.289	102.250	√	√	√	–	–
		85.00	68.633	117.500	√	√	√	–	–
1280x960	1280x960	60.00	60.000	108.000	√	√	√	–	–
		85.00	85.938	148.500	√	√	√	–	–

**Table 7-3. Supported Signal Timings by Input (continued)**

Format	Resolution	Refresh Rate (Hz)	Horizontal Frequency (kHz)	Pixel Frequency (MHz)	Supported? (√ = Yes, – = No)				
					HD 1 HD 2	HDMI 1 HDMI 2 HDMI 3 HDMI 4	Component	SCART	Composite 1 Composite 2 Composite 3
1280x1024	1280x1024	60.00	63.981	108.000	√	√	√	–	–
		75.00	79.976	135.000	√	√	√	–	–
		85.00	91.146	157.500	√	√	√	–	–
1360x768	1360x768	60.00	47.712	85.500	√	√	√	–	–
1400x1050	1400x1050	60.00	64.744	101.000	√	√	√	–	–
		60.00	65.317	121.750	√	√	√	–	–
		75.00	82.278	156.000	√	√	√	–	–
1600x1200	1600x1200	60.00	75.000	162.000	√	√	√	–	–
1680x1050	1680x1050	60.00	64.674	119.000	√	√	√	–	–
1920x1080	1920x1080	47.95	56.821	150.007	√	√	√	–	–
1920x1200	1920x1200	60.00	74.038	154.000	√	√	√	–	–
SCART RGBS	–	50.00	–	–	–	–	–	√	–
480/60i	720x487	59.94	15.734	13.500	√	√	√	–	–
480/60p	720x483	59.94	31.469	27.000	√	√	√	–	–
576/50i	720x576	50.00	15.625	14.750	√	√	√	–	–
576/50p	720x576	50.00	31.250	29.000	√	√	√	–	–
720/24p	1280x720	23.98/24.00	17.982/18.000	59.341/59.400	√	√	√	–	–
720/25p	1280x720	25.00	18.750	74.250	√	√	√	–	–
720/30p	1280x720	29.97/30.00	22.478/22.500	74.175/74.250	√	√	√	–	–
720/50p	1280x720	50.00	37.500	75.250	√	√	√	–	–
720/60p	1280x720	60.00	45.000	74.250	√	√	√	–	–
1080/50i	1920x1080	50.00	28.125/31.250	74.250/72.000	√	√	√	–	–
1080/60i	1920x1080	59.94/60.00	33.716/33.750	74.175/74.250	√	√	√	–	–
1080/24p	1920x1080	23.98/24.00	26.978/27.000	74.175/74.250	√	√	√	–	–
1080/50p	1920x1080	50.00	56.250	148.500	√	√	√	–	–
1080/60p	1920x1080	59.94/60.00	67.433/67.500	148.350/148.500	√	√	√	–	–
NTSC 3.58	–	59.94/60.00	15.734/15.750	3.580	–	–	–	–	√
NTSC 4.43	–	59.94/60.00	15.734/15.750	4.430	–	–	–	–	√
PAL-B/G/H/I	–	50.00	15.625	4.430	–	–	–	–	√



**Table 7-3. Supported Signal Timings by Input (continued)**

Format	Resolution	Refresh Rate (Hz)	Horizontal Frequency (kHz)	Pixel Frequency (MHz)	Supported? (√ = Yes, – = No)				
					HD 1 HD 2	HDMI 1 HDMI 2 HDMI 3 HDMI 4	Component	SCART	Composite 1 Composite 2 Composite 3
PAL-M	–	59.94/60.00	15.734/15.750	3.580	–	–	–	–	√
PAL-N	–	50.00	15.625	3.580	–	–	–	–	√
SECAM	–	50.00	15.625	13.500	–	–	–	√	√

**Notes:**



020-1073-00 Rev. A  
September 2010